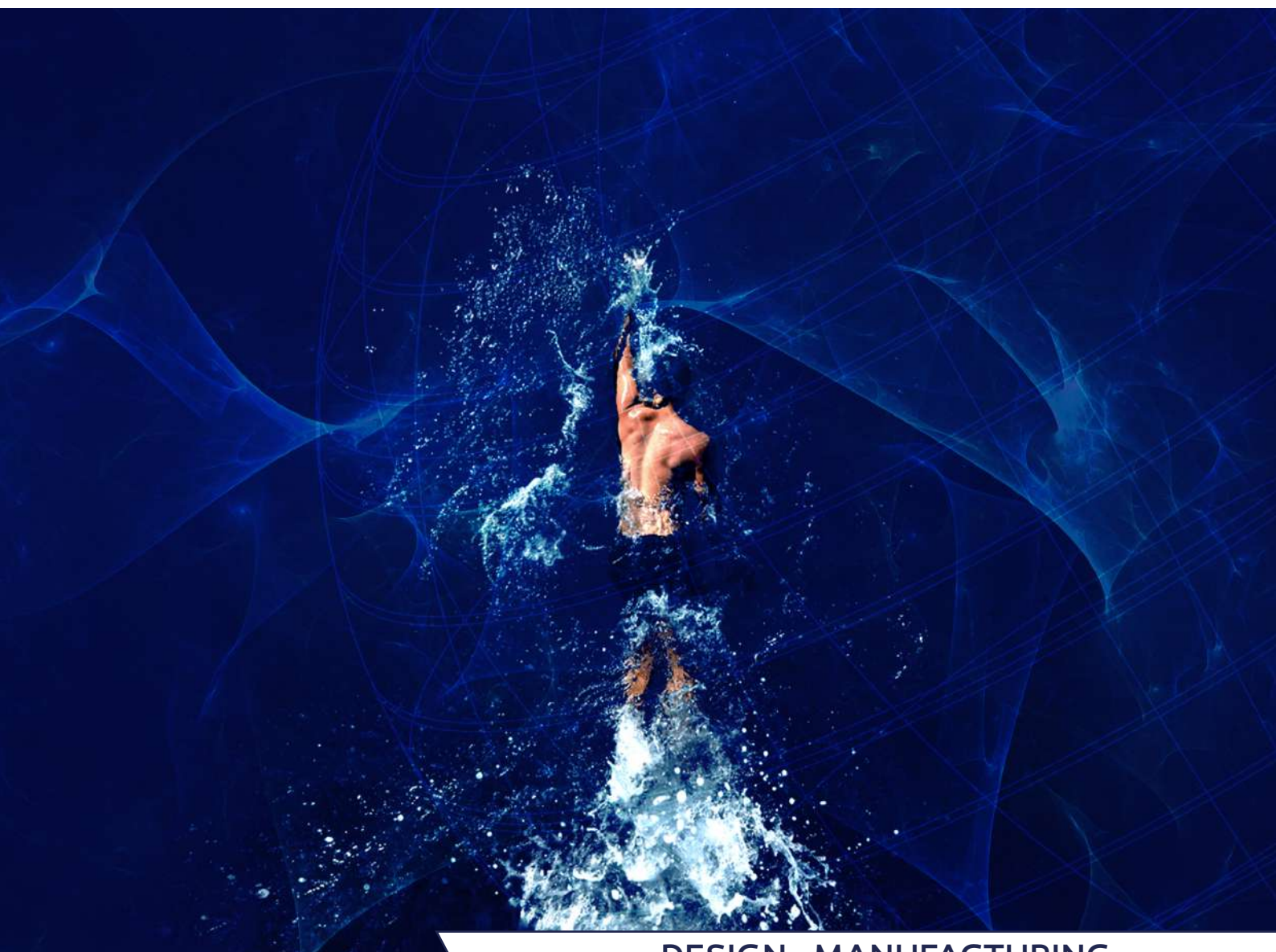




One step ahead



## PROFESSIONAL CATALOG | 2021



DESIGN • MANUFACTURING



Connected swimming pool



Pool equipment



Plant room equipment



Counter-current swimming  
& balneo solutions



# EDITORIAL

## **ACIS: A COMMITTED TEAM AT YOUR SIDE MORE THAN EVER**

Faced with the global health crisis, ACIS took all necessary precautions to ensure a large part of its business continued, ensuring it did not have to close its site. Throughout this period, we committed to provide our customers with the same quality service by responding promptly to each request and fulfilling all orders.

Our R&D team and Consultation team also continued to work on developing new products to provide you and your customers with the best solutions.

Building on our knowledge of the market and using the feedback we have received, we are introducing some new products.

## **2021: THE MOVE TO CONNECTED SWIMMING POOLS**

This year will mark our commitment to manufacturing innovative products with the launch of KEYPOOL. This new brand dedicated to connected and smart swimming pools completes the ACIS offering alongside Weltico, Vipool and Jet Vag.

With **Keypool**, we offer 2 specially designed solutions for swimming pool management from your smartphone: Blueswim and Hydrapool.

### **Blueswim:**

- Connect using Bluetooth® technology for use close to the swimming pool.
- Control equipment and receive information directly on your smartphone.

The ASYS application therefore gives way to Blueswim which already features the latest Android and iOS technology.

### **Hydrapool:**

Its high-performance is widely praised by our customers, particularly its value for money. Its main features include remote control or local control via Internet from a mobile application or website.

In the future, **Keypool** promises even more innovative solutions with the revolutionary remote-controlled electrical box!

## **A NEW RANGE FOR WELTICO**

Weltico, a market leader in the sealing parts sector, presents its new **We-Line** range, an addition to the Elegance and Design ranges.

Driven by a search for stylish solutions and our customers' wish to make an impression, we have developed our We-Line range. With its unique design and modern workmanship, this new range is available with a number of sealing parts: A400 and A800 skimmers, return nozzles, vacuum ports, main drains, lighting, etc.

This year, we are also offering a new A500 NHL skimmer, specially designed for discrete integration and water level readings. A high-end solution guaranteed!

## **A FULL PRODUCT RANGE WITH WA CONCEPTION AND BIO POOL**

Lastly, the ACWA group, composed of ACIS, WA CONCEPTION and BIO-POOL, offers a full range of products dedicated to the world of swimming pools (electrical boxes, salt water chlorinators, level regulators, compatible cells, etc.) at the best quality and price. In the same spirit, our new connected swimming pool brand Keypool will also be offered by WA CONCEPTION and BIO-POOL.

The ACIS team





Quality components: Osram LEDs, 4-color packaging with expanded foam.



All pumps and filtrations solutions are air and water tested.

## HIGH QUALITY STANDARDS



We source our materials and components with the utmost stringency:

- Our alarms meet the standard NF P90-307-1:2009.
- Patented products and concepts in our different ranges.



Made in France



Warranty: 5 years on our resin-coated motors, 2 years on our products.



## 4 AREAS OF EXPERTISE BRANDS



**Keypool®:** connected swimming pools



**Weltico®:** pool equipment, sealing parts, lighting and alarms

**Vipool®:** plant room equipment, pumps and filters

**Jet Vag®:** CCS, balneo and water games

# INDUSTRY EXPERTISE

---

## ▶ A FRENCH DESIGNER AND MANUFACTURER OF SWIMMING POOL EQUIPMENT

Designing and manufacturing innovative products is in our DNA at ACIS. Year after year, we expand our expertise on different areas of swimming pool equipment.

2 key pillars drive us forward:

- Imagination and design
- Manufacturing

## ▶ RESEARCH AND INNOVATION

We put our brain power to use for you by bringing product upgrades and new products year on year. Our closeness to the industry and your feedback help to fuel our creativity.

Our team composed of 6 engineers make upgrades to our ranges each year, while also making sure they meet your needs.

These products are genuine innovation and are commonly patented.

## MANUFACTURING

---

### ▶ TECHNICAL EXPERTISE

Our teams are trained in the manufacturing of our products at our plant: LED lighting, filtration (skimmers, skimfiltres, twinfiltres, filtration blocks, filter walls), CCS, balneo and water games.

We manufacture products in line with specifications and offer complete customization.

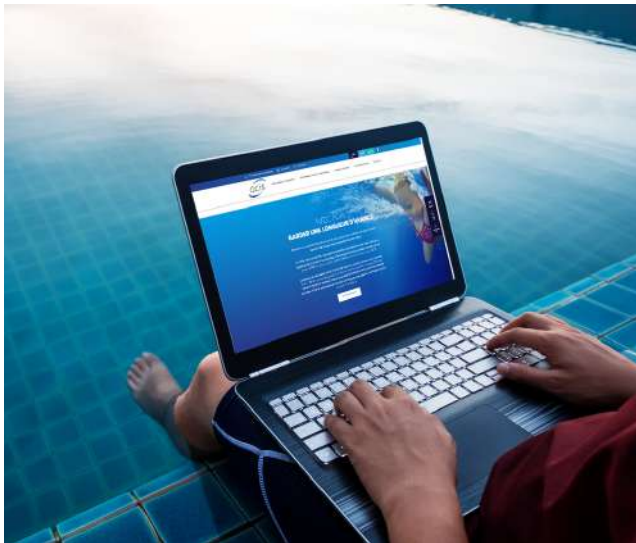
We ensure the product is fully compliant by manufacturing it as close as possible to the specification.





# GLOBAL PRESENCE AND SERVICES

---



## ► WEBSITE & DOCUMENTATION

On our website [www.acis-france.com](http://www.acis-france.com), we make a range of documentation (instructions, graphics, installation advice, spare parts) available via the professional space upon request.

## ► CUSTOMIZATION



We can create tailored documentation for you. Feel free to contact our sales department with your customized product needs.



## ► EXPORT

A large share of our business at ACIS (almost 20%) is export-based.

To strengthen our position on export markets, ACIS hired Patricio Da Silva in September 2020 as Export Sales Executive. Aurélie Le Roy, your trilingual point of contact, remains at your disposal and will do everything she can to manage your orders such as helping with administrative procedures and dealing with forwarding agents in the countries listed below:

### EUROPE

Germany, Portugal, Belgium, UK, Spain, Netherlands, Cyprus, Italy, Austria, Switzerland, Croatia, Slovakia, Greece, Lithuania, Latvia, Hungary, Slovenia, Czech Republic, Poland, Sweden, Romania, Denmark

### OVERSEAS DEPARTMENTS AND TERRITORIES

Reunion Island, Guadeloupe, Martinique, French Polynesia

### AFRICA

Senegal, Morocco, Chad, South Africa, Egypt, Tunisia, Cameroon, Algeria, Republic of Bahrain

### MIDDLE EAST

United Arab Emirates, Qatar, Israel

### AMERICA

Mexico, Surinam

### SOUTHERN HEMISPHERE

Australia, Mauritius, New Caledonia

### ASIA

Vietnam

# A TEAM AT YOUR SIDE



**Laurent Morin** • Sales Manager  
laurent.morin@acwa-france.com  
+33(0)6 76 40 19 99

## ▶ FRANCE SALES

**Jean-Christophe Huet**  
Dedicated Account Manager  
jc.huet@acwa-france.com  
+33(0)6 20 38 19 08

**Maxime Cazères** • South West Sales Executive  
maxime.cazeres@acwa-france.com  
+33(0)7 57 47 18 70

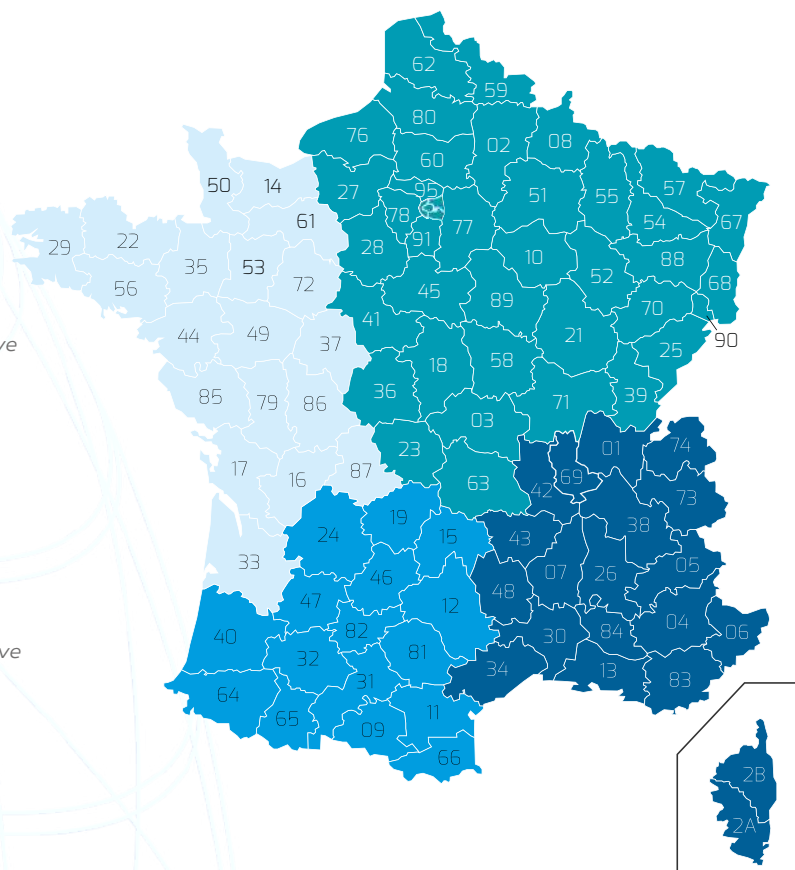
**Christine Legal** • South East Sales Executive  
christine.legal@acwa-france.com  
+33(0)6 73 46 72 48

**Matthieu Le Mestre** • West Sales Executive  
matthieu.lemestre@acwa-france.com  
+33(0)7 57 51 16 20

**Olivier Mougénot** • North East Sales Executive  
olivier.mougenot@acwa-france.com  
+33(0)7 57 47 18 77

## ▶ EXPORT SALES EXECUTIVE

**Patricio Silva**  • Export Manager  
patricio.export@acwa-france.com  
+33(0)7 57 47 18 72



## CUSTOMER SERVICE



**Nathalie Landet**  
Sales Administration Manager  
client.acis@acis-france.com  
+33(0)2 21 76 00 44

**Delphine Guitteny**  
commercial.acis@acis-france.com  
+33(0)2 40 59 99 09

**Guylaine Loison**  
adv@acis-france.com  
+33(0)2 40 59 95 35

**Mathilde Maldant**  
commandes@acis-france.com  
+33(0)2 40 59 89 09

**Mylène Laurent**  
mylene.laurent@acis-france.com  
+33(0)2 40 59 15 98

## EXPORT

**Aurélie Le Roy**   
export.acis@acis-france.com  
+33(0)2 40 59 94 33



## CONSULTATION TEAM

**Jacky Menant**  
jm.acis@acis-france.com

**Laurent Lévêque**  
be.acis@acis-france.com

**Erwan Riou**  
erwan.riou@acis-france.com

**Yann Charon**  
yann.charon@acis-france.com



## TECHNICAL AFTER-SALES SERVICE

**Philippe Dartois**  
+33(0)2 40 59 15 99  
sav.acis@acis-france.com



# CONTENTS



## CONNECTED SWIMMING POOLS

- 10 ▶ HYDRAPOOL
- 12 ▶ BLUESWIM RANGE
- 13 ▶ BLUESWIM TUNABLE
- 14 ▶ BLUESWIM EO
- 15 ▶ BLUESWIM PILOT
- 16 ▶ BLUESWIM SHUTTER



## LIGHTING

- 20 ▶ LIGHTING HIGHLIGHTS
- 21 ▶ TUNABLE PROJECTOR RANGE
- 22 ▶ LED PAR56 LIGHT BULBS
- 23 ▶ WIRED LED PAR56 LIGHT BULBS
- 24 ▶ RENOVATION PROJECTORS
  - 24 ▶ WE-LINE range
  - 25 ▶ DESIGN range
- 26 ▶ NEW BUILD PROJECTORS
  - 26 ▶ WE-LINE range
  - 27 ▶ DESIGN range
  - 28 ▶ ELEGANCE range
- 29 ▶ EASYLED PROJECTORS
  - 29 ▶ WE-LINE range
  - 30 ▶ DESIGN range
  - 31 ▶ IKONE range
  - 32 ▶ EVO range
- 34 ▶ COVER COLOR OPTIONS
- 35 ▶ SPOTTIE AND OPTIONS
- 37 ▶ 300 W LIGHTING
- 38 ▶ LIGHTING CONTROL
- 39 ▶ JUNCTION BOXES

## SEALING PARTS

- 42 ▶ WE-LINE RANGE
  - 42 ▶ A400 Skimmers
  - 43 ▶ A800 Skimmers
  - 44 ▶ Return nozzles
  - 46 ▶ Vacuum ports
  - 46 ▶ Accessories
  - 47 ▶ Main drains
- 48 ▶ DESIGN RANGE
  - 48 ▶ A200 Skimmers
  - 49 ▶ A400 Skimmers
  - 50 ▶ A500 NhL Skimmers
  - 51 ▶ A600 Skimmers
  - 52 ▶ A800 Skimmers
  - 53 ▶ Renovation kit
  - 54 ▶ Return nozzles
  - 56 ▶ Vacuum ports
  - 57 ▶ Accessories
  - 58 ▶ Main drains

## 59 ▶ ELEGANCE RANGE

- 59 ▶ A400 Skimmers
- 60 ▶ A600 Skimmers
- 61 ▶ Jumboskim
- 62 ▶ Renovation kit
- 63 ▶ Return nozzles
- 66 ▶ Accessories
- 67 ▶ Main drains

## 68 ▶ OPTIONS

## 69 ▶ SEALING PARTS WITH INSERTS

## 70 ▶ STAINLESS STEEL SEALING PARTS

## FILTRATION

## 74 ▶ CARTRIDGE FILTRATION RANGE

## 76 ▶ CARTRIDGES

## 77 ▶ ANTIBACTERIAL CARTRIDGES

## 78 ▶ WELFILTRE

## 80 ▶ DESIGN RANGE

- 80 ▶ A200 · A300 Skimfiltres
- 81 ▶ A400 · A600 · A800 Skimfiltres

## 82 ▶ ELEGANCE RANGE

- 82 ▶ A400 · A600 Skimfiltres
- 83 ▶ Twinfiltres

## 84 ▶ SADDLE UNITS

## 85 ▶ FILTER WALLS

## 86 ▶ OPTIONS

## 88 ▶ SKIMBLOC

## 89 ▶ EVERBAG

## 90 ▶ CLEANING TANKS

## ALARMS

## 92 ▶ ALARM RANGE

## 93 ▶ DISCRÈTE

## 94 ▶ IMMERSTAR

## 95 ▶ VISIPOOL



## STANDARD PUMPS

## 98 ▶ ADVANTAGES OF VIPOOL PUMPS

## 100 ▶ MCB+ PUMPS

## 101 ▶ MNB+ PUMPS

## 102 ▶ MKB+ PUMPS

## 103 ▶ MJB PUMPS

## 104 ▶ MPB PUMPS

## 105 ▶ NORYSTAR PUMPS

## MAX T° PUMPS

## 109 ▶ PHT PUMPS

## 110 ▶ RENOVO® PUMPS

## 112 ▶ MNB+ MAX T° PUMPS

## 112 ▶ MKB+ MAX T° PUMPS

## EKO PUMPS

## 114 ▶ EKO RANGE

## 115 ▶ VARIPPOOL

## 116 ▶ RENOVO® VS PUMPS

## 118 ▶ MKB 2S PUMPS

## 119 ▶ MKB VS PUMPS

## CCS BALNEO PUMPS

## 122 ▶ MGD+ PUMPS

## 123 ▶ CCS AND BALNEO PUMPS

## 124 ▶ DUAL-SPEED PUMPS

## 125 ▶ PRE-FILTERED CCS PUMPS

## 126 ▶ SPA PUMPS

## 127 ▶ DUAL-SPEED SPA PUMPS

## 128 ▶ HEATED SPA BLOWERS

## FILTRATION

## 130 ▶ 6-CLONE

## 132 ▶ ALL IN PALL

## 133 ▶ FULL IN PALL

## 134 ▶ FILTRATION KIT

## 135 ▶ SIDE RANGE FIBERGLASS FILTER



## CCS

## 142 ▶ LOW-LEVEL SUCTION

## 144 ▶ BS + JN JET KIT

## 145 ▶ JUNIOR PRO

## 146 ▶ ALVÉO'NOX

## 148 ▶ NEW JET VAG

## 150 ▶ PRO LUXE

## 152 ▶ LUM JET VAG

## BALNEO

## 154 ▶ EFFERVESCENCE® SOLO OR DUO

## 156 ▶ BULLÉO SOLO OR DUO

## 158 ▶ BALNEO SOLO OR DUO

## 160 ▶ BALNEO KIT

## 161 ▶ HYDROMASSAGE

## 162 ▶ DUO MIX

## 164 ▶ ACCESSORIES

## WATER GAMES

## 168 ▶ OPERATING PRINCIPLES

## 169 ▶ SEALING PARTS OPTIONS

## 170 ▶ GAMES OPTIONS





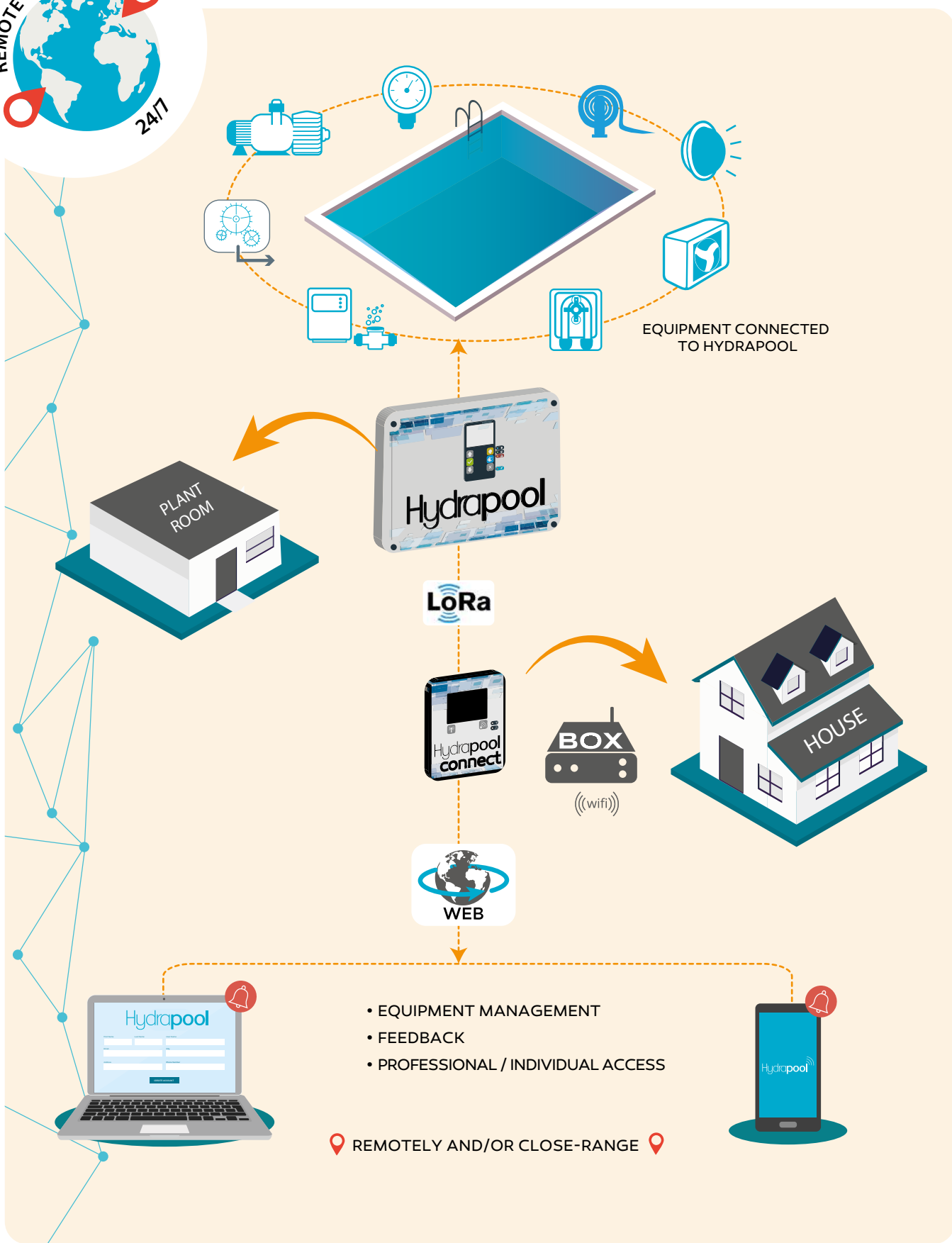


Smart technologies

## CONNECTED SWIMMING POOLS

- HYDRAPPOOL ..... 10
- **Blueswim** RANGE ..... 12
  - Blueswim** TUNABLE ..... 13
  - Blueswim** EO ..... 14
  - Blueswim** PILOT ..... 15
  - Blueswim** SHUTTER ..... 16


# Hydrapool<sup>®</sup>, our complete remote management solution for professionals and individuals with a new look for 2021.

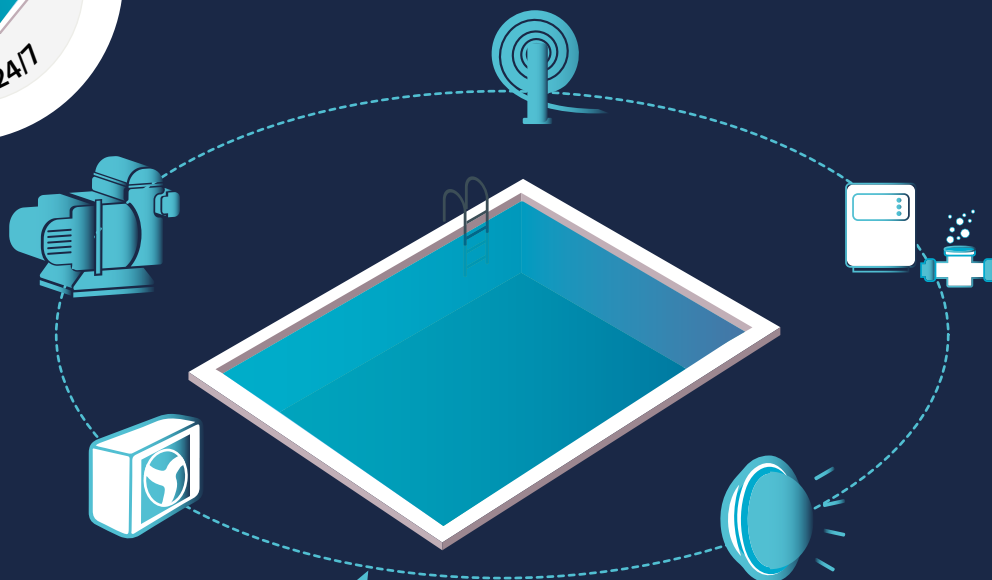


- EQUIPMENT MANAGEMENT
- FEEDBACK
- PROFESSIONAL / INDIVIDUAL ACCESS

📍 REMOTELY AND/OR CLOSE-RANGE 📍



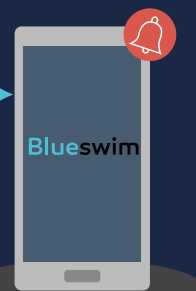
**Blueswim** , an application used for 4 different products dedicated to the management of pool area equipment.



EQUIPMENT CONNECTED TO BLUEWSWIM  
*variable according to products in the Blueswim range*



- EQUIPMENT MANAGEMENT
- FEEDBACK



CLOSE-RANGE

# HYDRAPPOOL

## A COMPLETE REMOTE POOL MANAGEMENT SOLUTION FOR PROFESSIONALS AND INDIVIDUALS

The HYDRAPPOOL application provides you with 360° and 24/7 control of pool equipment whatever the brand may be (no need for compatibility). With configurable alerts and its customizable functionality, the application is designed to meet everyone's needs. HYDRAPPOOL helps professionals to avoid unnecessary travel and to monitor their swimming pools in real time using remote management.

## FEATURES

### TAKE READINGS AND OPERATING STATES



PUMP STATUS



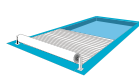
LIGHTING



AIR AND WATER TEMPERATURE



INSTALLATION PRESSURE



SHUTTER  
> OPEN OR CLOSED



PH CONTROL



WATER DISINFECTION



PRODUCT DRUMS LEVEL CONTROL

### CONTROL DEVICES



PH CONTROL



PH CONTROL



FILTRATION  
> ON/OFF/CLOCK/WEATHER COMPENSATION



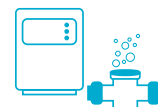
LIGHTING  
> ON/OFF/CLOCK  
> COLORS MANAGEMENT



HP  
> WATER T°



PH REGUL  
> PH VALUE



WATER DISINFECTION

### SECURE EQUIPMENT



OVERCURRENT MOTOR PROTECTION



CIRCULATION FAULT



SAFETY THRESHOLD  
> WATER T° / REDOX / PH



EMPTY DRUMS INFORMATION



PH CONTROL



HYDRAPPOOL electrical box + HYDRAPPOOL Connect control unit + application

FREE APPLICATION  
NO SUBSCRIPTION

NEW 2021

## PRODUCT HIGHLIGHTS

- treatment clock (weekly programming)
- 15-minute forced filtration after pH injection
- priority automatic control
- variable speed pump management
- 1 configurable auxiliary contact (with or without clock for example)
- can be used directly from the HYDRAPPOOL electrical box if the Internet is down



Water T° probe

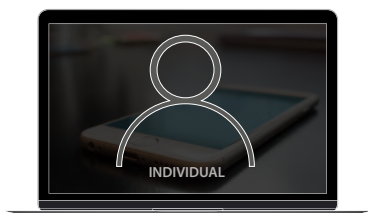


Air T° probe



Pressure sensor

## PROFESSIONAL / INDIVIDUAL ACCESS



Professionals and individuals can be easily unlinked from one another at any time.



Individuals can effortlessly manage their pool from a computer or smartphone (iOS - Android) and remotely using an internet connection.

Configurable alarms and notifications provide them with ultimate pool equipment safety and operation.

Individuals can also be linked to professionals to have them manage their pool.

Professionals have a complete overview of their swimming pools from a computer or smartphone (iOS - Android).

Thanks to alarm and notification features, a professional can manage their swimming pools without any unnecessary travel and monitor them in real-time.

They can be linked or unlinked from an individual at the click of a button.



### HYDRAPPOOL COMPONENTS

- The main HYDRAPPOOL electrical box
- The HYDRAPPOOL Connect control unit
- Air T° probe
- Water T° probe with Ø50 saddle clamp
- Pressure sensor (with G1/4" union + Ø50 saddle clamp with M1/2" x F1/4 reducer")
- Free access to the web and mobile application, server, remote connection

CODE	DESIGNATION
HYDRAPPOOL	<b>The HYDRAPPOOL solution:</b> the electrical box / 1 HYDRAPPOOL Connect control unit / air & water probe / pressure sensor / web and mobile application

### KITS

#### FEEDBACK

HYDRA-PH	<b>PH Kit:</b> pH probe/saddle clamp Ø50/ 2 calibration solutions
HYDRA-REDOX	<b>Redox Kit:</b> Redox probe/saddle clamp Ø50/1 calibration solution

#### PH OR CHLORINE CONTROL / DOSING

HYDRA-INJECTION	<b>Injection kit and pH or chlorine:</b> rod with float / injector / saddle clamp / 4m of piping
HYDRA-DOSEUSE	<b>Dosing pump kit for pH or chlorine:</b> Dosing pump on box for pH or chlorine

### ELECTRICAL PROTECTION

#### 3 OPTIONS AVAILABLE (OTHER TRANSFORMERS ON REQUEST)

COF-HYDRA-1	<b>Basic protection box:</b> HYDRAPPOOL + 100 VA lighting
COF-HYDRA-2	<b>Protection box of elements:</b> HYDRAPPOOL + 100 VA lighting + pH + chlorine
COF-HYDRA-3	<b>Protection box of elements:</b> HYDRAPPOOL + 100 VA lighting + pH + chlorine + HP + shutter + socket + 30 mA differential switch





# Blueswim RANGE

BLUETOOTH® CONNECTED SWIMMING POOLS

Your swimming pool's dedicated mobile application!



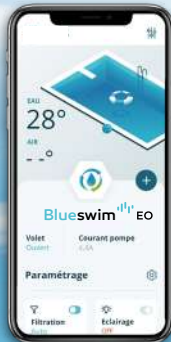
1 single mobile application

# Blueswim

for 4 products dedicated to the world of swimming pools



TUNABLE



EO



PILOT



SHUTTER



FREE  
APPLICATION  
NO SUBSCRIPTION

# Blueswim TUNABLE

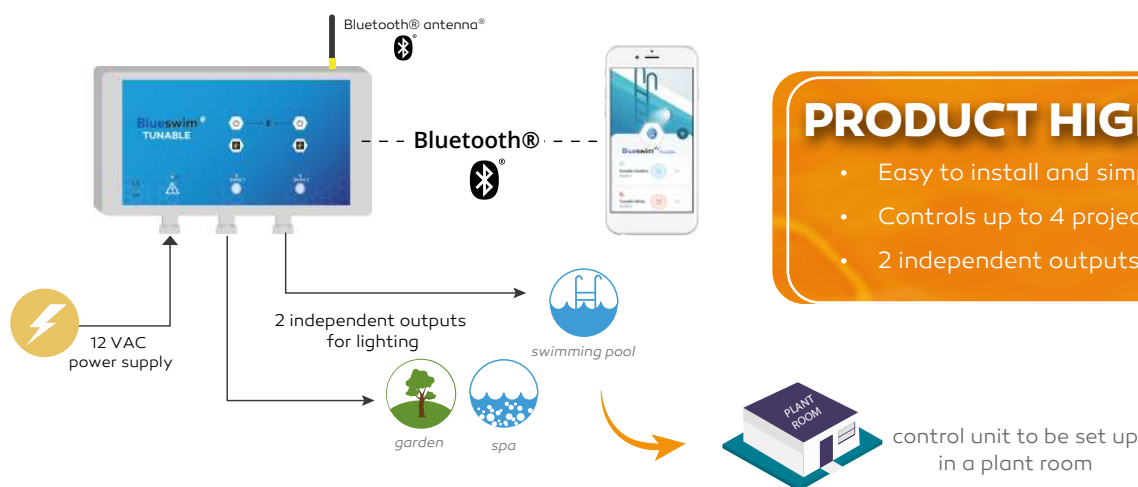
CREATES AMBIENCE

Specially designed for WELTICO's Tunable lighting range, the Blueswim application allows you to create a luminous ambience that completely suits your style.



## CHARACTERISTICS

The Blueswim Tunable solution, comprising a control unit to be set up in a plant room, can be used to control all WELTICO lighting products (ON/OFF, program switch) and offers a number of features for Tunable White and Color projectors.



### PRODUCT HIGHLIGHTS

- Easy to install and simple to use
- Controls up to 4 projectors
- 2 independent outputs

## FEATURES

### COLOR



- Direct color control and adjustable lighting intensity
- Customized programs based on 3 settings (color, color cycle time and color transition time)
- The projectors come with 15 built-in programs to choose from that can be used to apply a fixed color or a sequence of different colors (*learn more on p.21*)

### WHITE



- Direct control of white tones from 2,500 to 6,500k and brightness
- 9 program options for warm and cool white variation (*learn more on p.21*)

- Calendar
- Countdown timer
- Auto off

CODE	DESIGNATION
BLUE-TUN	Blueswim TUNABLE control unit + application

# Blueswim EO

A COMPLETE SOLUTION FOR SIMPLIFIED POOL EQUIPMENT MANAGEMENT VIA BLUETOOTH®

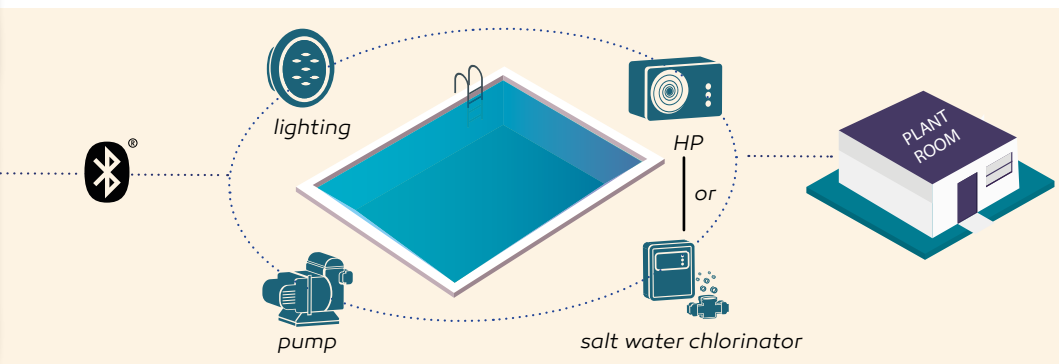
## CHARACTERISTICS

The Blueswim application can be used to:

- Control within close range the pool equipment linked to the EO module from your smartphone
- Gather real-time equipment information

## PRODUCT HIGHLIGHTS

- Can be used for optimum filtration pump and lighting management, and either a HP system or salt water chlorinator
- Can also be controlled without a smartphone (using the module)



## FEATURES

### INFORMATION PROVIDED:

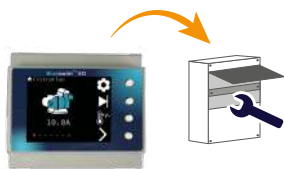
- Water and air temperature
- Filtration pump status
- Shutter status
- Lighting status

### CONTROL AND SECURE EQUIPMENT:

- Filtration: ON, OFF, auto, weather compensation, customizable clock
- Lighting: ON/ OFF, clock
- Configurable auxiliary output
- Overcurrent protection for filtration pumps
- Frost-protection mode

## 3 OPTIONS AVAILABLE

Installed in the plant room, the EO module is suitable for any kind of installation:



module to be set up on a DIN rail



control unit to be set up in the plant room (230V)



built-in WA electrical box module

- COMES WITH
- water T° probe
  - air T° probe
  - saddle clamp

CODE	DESIGNATION
BLUE-EO	Blueswim EO module to be installed on an electrical box
BLUE-EO-LOC	Blueswim EO control unit to be set up in the plant room
	Electrical box with fitted Blueswim EO module



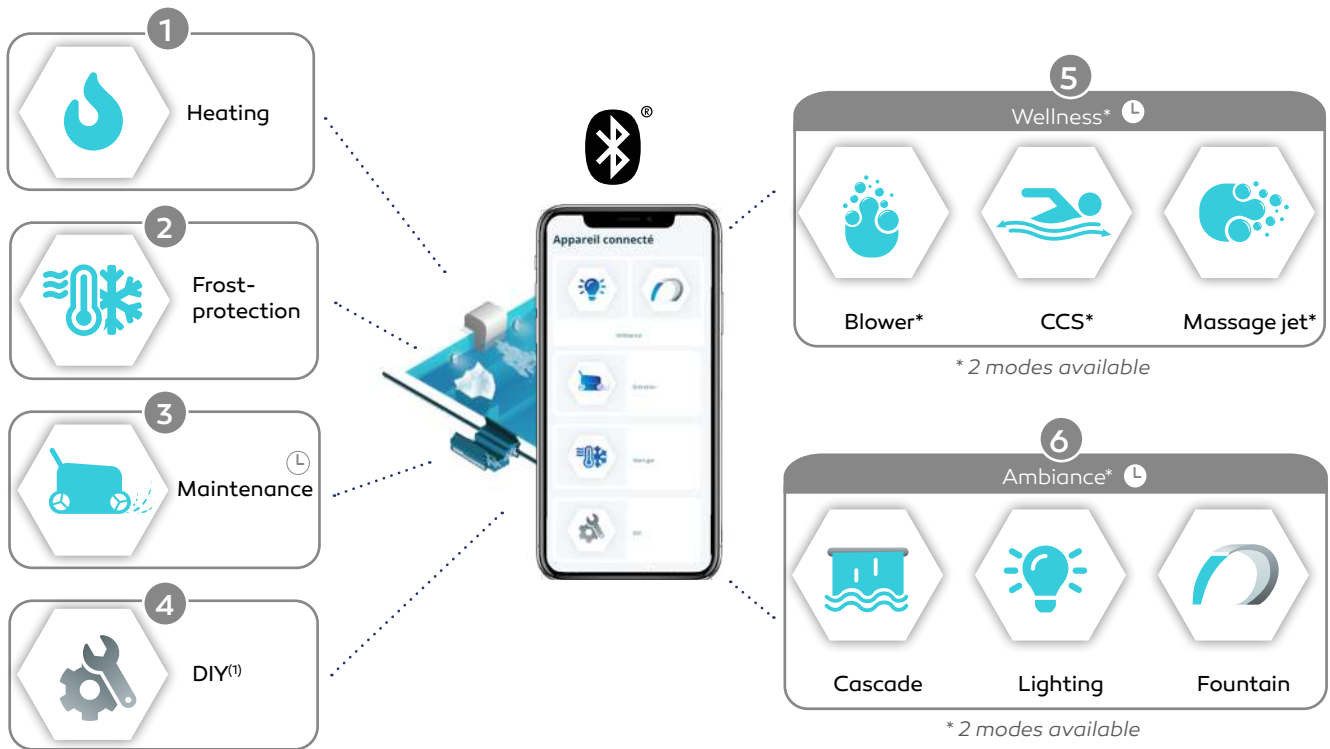
# Blueswim PILOT

A UNIVERSAL REMOTE CONTROL FOR ALL POOLS

## FEATURES

- Option to select various pool modes (Wellness, Ambiance)
- Can be used to upgrade an electric box being refurbished or to complement the features provided by the **Blueswim EO**

6 OPTIONS AVAILABLE:  
10 modes available



🕒 Clock or timer can be programmed on a daily or weekly basis  
(1) Customizable modes to be set alongside the 9 other modes

## 2 OPTIONS AVAILABLE



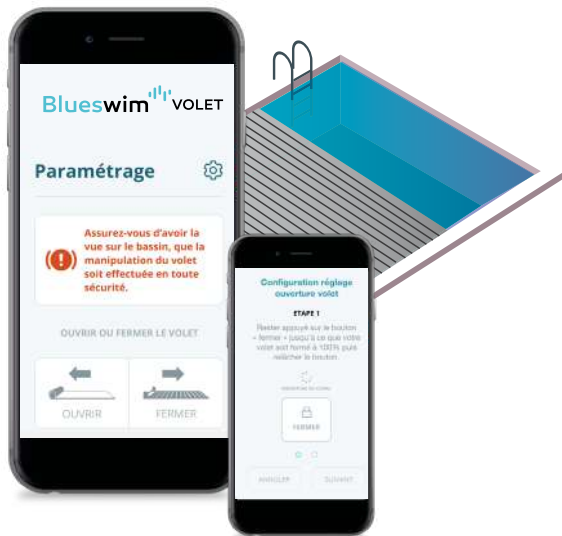
CODE	DESIGNATION
BLUE-PIL	Blueswim Pilot module to be installed on an electrical box
BLUE-PIL-LOC	Blueswim Pilot control unit to be installed in the plant room

# Blueswim SHUTTER

THE APPLICATION DESIGNED FOR SAFE SHUTTER MANAGEMENT

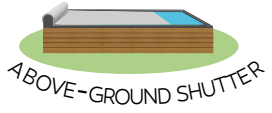
## CHARACTERISTICS

Thanks to the Blueswim SHUTTER solution, your smartphone becomes a real remote control where you can open and close the pool's shutter safely.



### PRODUCT HIGHLIGHTS

- 2 options available to suit all shutter types
- Compatible with all brands
- Simple to install and use
- Close-range control via Bluetooth®
- A secure system that uses activation codes
- A switch option to reduce electrolysis output (only available on 24V control unit)



## OPTIONS AVAILABLE



CODE	DESIGNATION
BLUE-VOL	Blueswim Shutter module to be installed on an electrical box - 24V for above-ground shutters
BLUE-VOL-LOC	Blueswim Shutter control unit to be installed in the plant room - 24V for above-ground shutters
BLUE-VOL-230	Blueswim Shutter module to be installed on an electrical box - 230V for in-ground shutters
BLUE-VOL-LOC-230	Blueswim Shutter control unit to be installed in the plant room - 230V for in-ground shutters









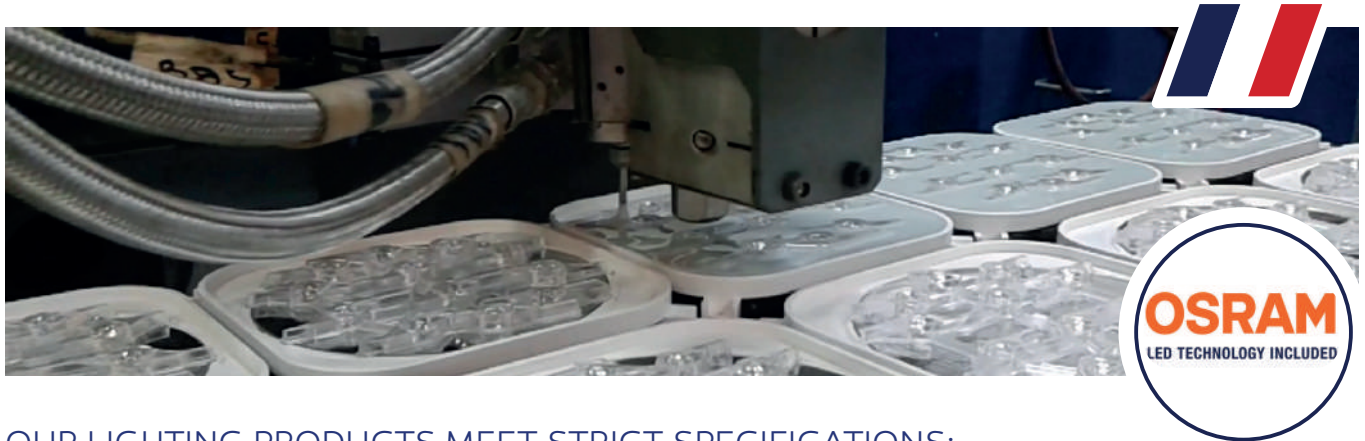
Pool equipment

## LIGHTING

• LIGHTING ADVANTAGES .....	20
• NEW ARRIVAL: TUNABLE PROJECTOR .....	21
• PAR56 LED LIGHT BULB .....	22
• WIRED PAR56 LED LIGHT BULB .....	23
• RENOVATION PROJECTOR .....	24
WE-LINE RANGE .....	24
DESIGN RANGE .....	25
• NEW-BUILD PROJECTORS .....	26
WE-LINE RANGE .....	26
DESIGN RANGE .....	27
ELEGANCE RANGE .....	28
• EASYLED PROJECTOR .....	29
WE-LINE RANGE .....	29
DESIGN RANGE .....	30
IKONE RANGE .....	31
EVO RANGE .....	32
• COVER COLOR OPTIONS .....	34
• SPOTTIE .....	35
• 300W LIGHTING .....	37
• LIGHTING CONTROL .....	38
• JUNCTION BOX .....	39

# LIGHTING ADVANTAGES

WE HAVE DEVELOPED OUR EXPERTISE THANKS TO OUR SPECIALIZED CONSULTATION TEAM AND MANUFACTURING TEAMS AT OUR PLANT IN SAINT-PHILBERT-DE-GRAND-LIEU, IN FRANCE.



OUR LIGHTING PRODUCTS MEET STRICT SPECIFICATIONS:

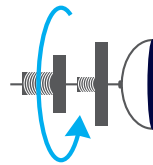


Energy-efficient

LONGER  
LIFESPAN



50 to 100 times more efficient than traditional lamps



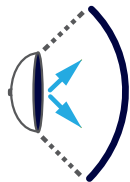
Easy to set up



Low maintenance



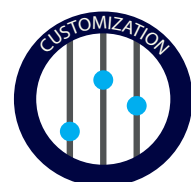
Resin coating guaranteeing for perfect sealing



Wide-angle lighting



Compatible with most light bulbs in the market



Lighting technology and cover options

5 RANGES TO MATCH THE STYLE OF THE POOL



WE-LINE

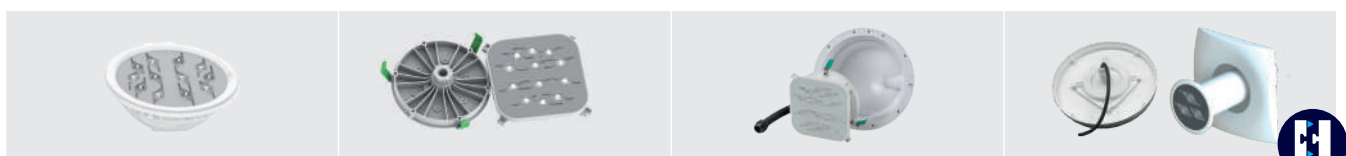
DESIGN

IKONE

EVO

ELEGANCE

4 SYSTEMS TO FIT ALL INSTALLATIONS



PAR 56 LIGHT BULB

RENOVATION

NEW BUILD WITH RECESS

CLIP-ON PROJECTOR





# NEW ARRIVAL: TUNABLE PROJECTOR

## NEW COLLIMATOR TECHNOLOGY AND DESIGN

Enjoy a wide range of features provided by the white and color Tunable projectors with the Blueswim mobile application.

NEW  
COLLIMATOR



with the application  
**Blueswim**  
Tunable

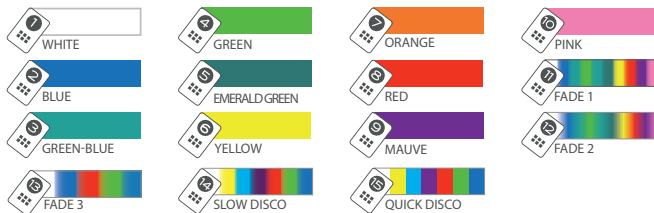
## FEATURES

### COLOR

- **Direct color control** and adjustable lighting intensity



- **Customized programs** based on 3 settings: color, color cycle time and color transition time
- The projectors come with **15 built-in programs** to choose from that can be used to apply a fixed color or a sequence of different colors

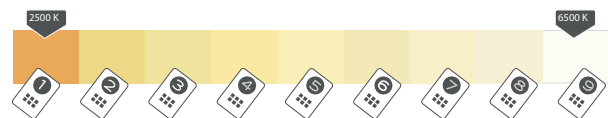


### WHITE

- **Direct control of white tones** from 2,500 to 6,500k and brightness



- **9 program** options for warm and cool white variation



- Calendar
- Countdown timer
- Auto off

# PAR56 LED LIGHT BULB

Available in STANDARD or TUNABLE, in white or color



## STANDARD

- 10 colors & 5 programs available in color LED
- Available in white (6 or 12 LED) and in color (12 LED)
- Remote control (p.38)



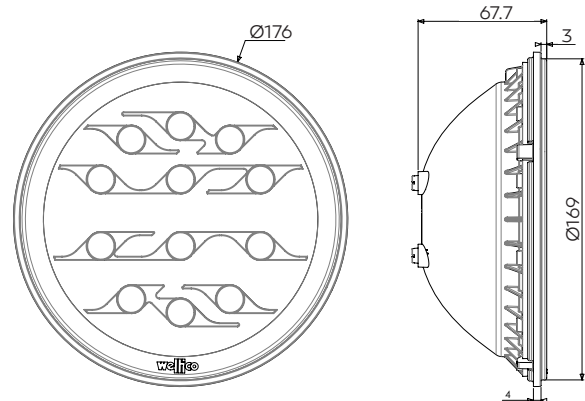
## TUNABLE

- Remote control with many features available from the **Blueswim Tunable** mobile application
- Available in white and in color (12-LED)
- Color and white tone customization (p.21)



## CHARACTERISTICS

- Compatible with all PAR56 pool projectors in the market
- Standard or Tunable collimator for optimal lighting diffusion



CODE	STANDARD PAR56 LIGHT BULB
64192LB15	6-LED light bulb white (26 W – 36 VA)
64192LB30	12-LED light bulb white (42 W – 52 VA)
64192LC15	12-LED light bulb color (36 W – 45 VA)

CODE	PAR56 TUNABLE LIGHT BULB
64192TW30	12-LED light bulb Tunable white (20 W – 27 VA)
64192TC15	12-LED light bulb Tunable color (36 W – 45 VA)

# WIRED PAR56 LED LIGHT BULB

Makes installation easy while ensuring the perfect sealing of the assembly, without any need to use the optical bracket or the recess seal.



NEW!



## STANDARD

- 10 colors & 5 programs available in color LED
- Available in white (6 or 12 LED) and in color (12 LED)
- Remote control (p.38)

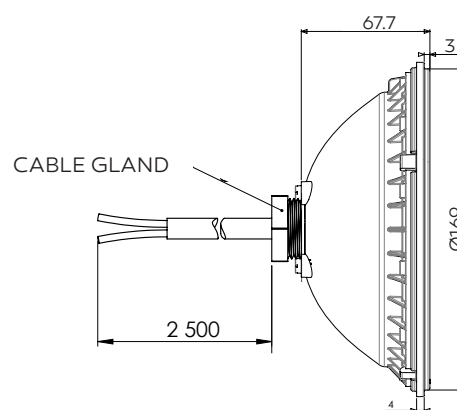
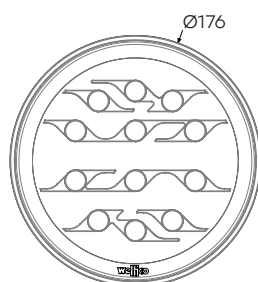
## TUNABLE

- Remote control with many features available from the **Blueswim Tunable** mobile application
- Available in white and in color (12-LED)
- Color and white tone customization (p.21)



## CHARACTERISTICS

- Suitable for all recess types
- 2.4m cable and holding lugs
- Standard or Tunable collimator for optimal lighting diffusion



CODE	WIRED STANDARD PAR56 LIGHT BULB
64192LB15CB	Wired 6-LED light bulb white (26 W – 36 VA)
64192LB30CB	Wired 12-LED light bulb white (42 W – 52 VA)
64192LC15CB	Wired 12-LED light bulb color (36 W – 45 VA)

CODE	WIRED PAR56 LIGHT BULB TUNABLE
64192TW30CB	Wired 12-LED light bulb Tunable white (20 W – 27 VA)
64192TC30CB	Wired 12-LED light bulb Tunable color (36 W – 45 VA)



# RENOVATION PROJECTOR

## WE-LINE RANGE

LED projector to be built into existing recesses for pool renovation.



### STANDARD

- 10 colors & 5 programs available in color LED
- Available in white (6 or 12 LED) and in color (12 LED)
- Remote control (p.38)



### TUNABLE



- Remote control with many features available from the **Blueswim Tunable** mobile application
- Available in white and in color (12-LED)
- Color and white tone customization (p.21)



## CHARACTERISTICS

- Suitable for all recess types (95% of the market)
- Standard or Tunable collimator for optimal lighting diffusion
- Cover color options (p.34)



CODE	STANDARD WE-LINE RENOVATION PROJECTOR
68036LB15	6-LED WE-LINE renovation projector white (26 W – 36 VA)
68036LB30	12-LED WE-LINE renovation projector white (42 W – 52 VA)
68036LC15	12-LED WE-LINE renovation projector color (36 W – 45 VA)
CODE	WE-LINE RENOVATION PROJECTOR TUNABLE
68036TW30	12-LED WE-LINE renovation projector Tunable white (20 W – 27 VA)
68036TC15	12-LED WE-LINE renovation projector Tunable color (36 W – 45 VA)

# RENOVATION PROJECTOR

## DESIGN RANGE

LED projector to be built into existing recesses for pool renovation.



### STANDARD

- 10 colors & 5 programs available in color LED
- Available in white (6 or 12 LED) and in color (12 LED)
- Remote control (p.38)



### TUNABLE

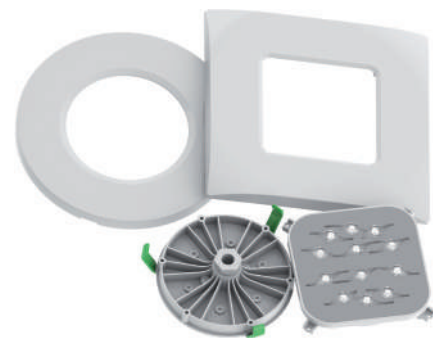


- Remote control with many features available from the **Blueswim Tunable** mobile application
- Available in white and in color (12-LED)
- Color and white tone customization (p.21)



## CHARACTERISTICS

- Suitable for all recess types (95% of the market)
- Standard or Tunable collimator for optimal lighting diffusion
- Cover color options (p.34)



CODE	STANDARD DESIGN RENOVATION PROJECTOR
65025LB15	6-LED DESIGN renovation projector white (26 W – 36 VA)
65025LB30	12-LED DESIGN renovation projector white (42 W – 52 VA)
67025LC15	12-LED DESIGN renovation projector color (36 W – 45 VA)
CODE	DESIGN TUNABLE RENOVATION PROJECTOR
65025TW30	12-LED DESIGN renovation projector Tunable white (20 W – 27 VA)
65025TC15	12-LED DESIGN renovation projector Tunable color (36 W – 45 VA)

# NEW-BUILD PROJECTORS

## WE-LINE RANGE

Wired white or color optical LED with recess for simple installation.



### STANDARD

- 10 colors & 5 programs available in color LED
- Available in white (6 or 12 LED) and in color (12 LED)
- Remote control (p.38)



### TUNABLE

- Remote control with many features available from the **Blueswim Tunable** mobile application
- Available in white and in color (12-LED)
- Color and white tone customization (p.21)



## CHARACTERISTICS:

- Available for all wall types: concrete, shell, concrete/liner, panel/liner
- Ease of assembly and disassembly of the optical unit in/from the recess without tools
- Standard or Tunable collimator for optimal lighting diffusion
- Cover color options (p.34)

### KIT COMPONENTS

- 1 We-Line ABS cover
- 1 2.4 m cable
- 1 protective sheath to connect to the connection box (not provided)
- 1 recess option: concrete/liner or panel/liner



CODE	STANDARD NEW-BUILD WE-LINE PROJECTOR WITH CABLE
69052LB15	Concrete-Liner 6-LED WE-LINE projector white (26 W – 36 VA)
69053LB15	Panel-Liner 6-LED WE-LINE projector white (26 W – 36 VA)
69052LB30	Concrete-Liner/Shell 12-LED WE-LINE projector white (42 W – 52 VA)
69053LB30	Panel-Liner 12-LED WE-LINE projector white (42 W – 52 VA)
69052LC15	Concrete-Liner 12-LED WE-LINE projector color (36 W – 45 VA)
69053LC15	Panel-Liner 12-LED WE-LINE projector color (36 W – 45 VA)
CODE	NEW-BUILD WE-LINE PROJECTOR TUNABLE WITH CABLE
69052TW30	Concrete-Liner 12-LED WE-LINE projector Tunable white (20 W – 27 VA)
69053TW30	Panel-Liner 12-LED WE-LINE projector Tunable white (20 W – 27 VA)
69052TC15	Concrete-Liner 12-LED WE-LINE projector Tunable color (36 W – 45 VA)
69053TC15	Panel-Liner 12-LED WE-LINE projector Tunable color (36 W – 45 VA)

# NEW-BUILD PROJECTORS

## DESIGN RANGE

White or color optical LED with cable and recess for simple installation.



### STANDARD

- 10 colors & 5 programs available in color LED
- Available in white (6 or 12 LED) and in color (12 LED)
- Remote control (p.38)



### TUNABLE

- Remote control with many features available from the **Blueswim Tunable** mobile application
- Available in white and in color (12-LED)
- Color and white tone customization (p.21)



## CHARACTERISTICS:

- Available for all wall types: concrete, shell, concrete/liner, panel/liner
- Ease of assembly and disassembly of the optical unit in/from the recess without tools
- Standard or Tunable collimator for optimal lighting diffusion
- Cover color options (p.34)

### KIT COMPONENTS

- 2 DESIGN ABS covers (round and square)
- 1 2.4 m cable
- 1 protective sheath to connect to the connection box (not provided)
- 1 recess option: concrete/liner or panel/liner



CODE	DESIGN NEW-BUILD STANDARD PROJECTOR WITH CABLE
65030LB15	Concrete-Liner 6-LED DESIGN projector white (26 W – 36 VA)
65032LB15	Panel-Liner 6-LED DESIGN projector white (26 W – 36 VA)
65030LB30	Concrete-Liner/Shell 12-LED DESIGN projector white (42 W – 52 VA)
65032LB30	Panel-Liner 12-LED DESIGN projector white (42 W – 52 VA)
67030LC15	Concrete-Liner 12-LED DESIGN projector color (36 W – 45 VA)
67032LC15	Panel-Liner 12-LED DESIGN projector color (36 W – 45 VA)
CODE	DESIGN NEW-BUILD TUNABLE PROJECTOR WITH CABLE
65030TW30	Concrete-Liner 12-LED DESIGN projector Tunable white (20 W – 27 VA)
65032TW30	Panel-Liner 12-LED DESIGN projector Tunable white (20 W – 27 VA)
65030TC15	Concrete-Liner 12-LED DESIGN projector Tunable color (36 W – 45 VA)
65032TC15	Panel-Liner 12-LED DESIGN projector Tunable color (36 W – 45 VA)



# NEW-BUILD PROJECTORS

## ELEGANCE RANGE

Wired white or color optical LED with recess for simple installation.



### STANDARD

- 10 colors & 5 programs available in color LED
- Available in white (6 or 12 LED) and in color (12 LED)
- Remote control (p.38)



### TUNABLE

- Remote control with many features available from the **Blueswim Tunable** mobile application
- Available in white and in color (12-LED)
- Color and white tone customization (p.21)



## CHARACTERISTICS

- Available for all wall types: concrete, shell, concrete/liner, panel/liner
- Ease of assembly and disassembly of the optical unit in/from the recess without tools
- Standard or Tunable collimator
- Cover color options (p.34)

### KIT COMPONENTS

- 2 ABS ELEGANCE covers
- 1 2.4m cable
- 1 protective sheath to connect to the connection box (not provided)
- 1 recess option: concrete/liner or panel/liner

CODE	ELEGANCE NEW-BUILD STANDARD PROJECTOR WITH CABLE
65035LB15	Concrete-Liner 6-LED projector white (26 W – 36 VA)
65037LB15	Panel-Liner 6-LED projector white (26 W – 36 VA)
65035LB30	Concrete-Liner/Shell 12-LED projector white (42 W – 52 VA)
65037LB30	Panel-Liner 12-LED projector white (42 W – 52 VA)
67035LC15	Concrete-Liner 12-LED projector color (36 W – 45 VA)
65037LC15	Panel-Liner 12-LED projector color (36 W – 45 VA)
CODE	ELEGANCE NEW-BUILD TUNABLE PROJECTOR WITH CABLE
65035TW30	Concrete-Liner 12-LED projector Tunable white (20 W – 27 VA)
65037TW30	Panel-Liner 12-LED projector Tunable white (20 W – 27 VA)
65035TC15	Concrete-Liner 12-LED projector Tunable color (36 W – 45 VA)
65037TC15	Panel-Liner 12-LED projector Tunable color (36 W – 45 VA)

# EASYLED PROJECTOR



## WE-LINE RANGE

Clip-on projector for all pool types (concrete, concrete/liner, panel/liner, shell)



### STANDARD

- 10 colors & 5 programs available in color LED
- Available in white (6 or 12 LED) and in color (12 LED)
- Remote control (p.38)



### TUNABLE

- Remote control with many features available from the **Blueswim Tunable** mobile application
- Available in white and in color (12-LED)
- Color and white tone customization (p.21)



## CHARACTERISTICS

- Simple and patented fixing system for all 1"1/2 sealing parts in the market
- Standard or Tunable collimator for optimal lighting diffusion
- Cover color options (p.34)

*vacuum port not included*



### KIT COMPONENTS

- 1 ABS WE-LINE cover
- 1 2.4 ml cable
- 1 ring to be screwed into 1"1/2

CODE	STANDARD WE-LINE EASYLED PROJECTOR
65070LB15	6-LED WE-LINE Easyled Range white (26 W – 36 VA)
65070LB30	12-LED WE-LINE Easyled Range white (42 W – 52 VA)
65070LC15	12-LED WE-LINE Easyled Range color (36 W – 45 VA)
CODE	WE-LINE EASYLED PROJECTOR TUNABLE
65070TW30	12-LED WE-LINE Easyled Range Tunable white (20 W – 27 VA)
65070TC15	12-LED WE-LINE Easyled Range Tunable color (36 W – 45 VA)

# EASYLED PROJECTOR



## DESIGN RANGE

Clip-on projector for all pool types (concrete, concrete/liner, panel, liner, shell)



### STANDARD

- 10 colors & 5 programs available in color LED
- Available in white (6 or 12 LED) and in color (12 LED)
- Remote control (p.38)



### TUNABLE

- Remote control with many features available from the **Blueswim Tunable** mobile application
- Available in white and in color (12-LED)
- Color and white tone customization (p.21)

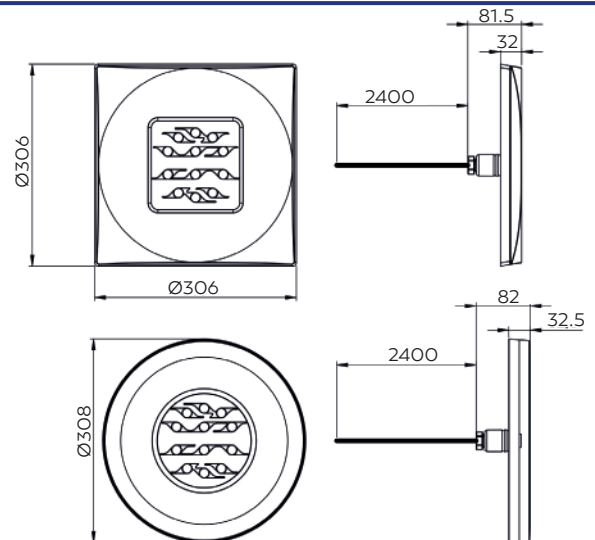
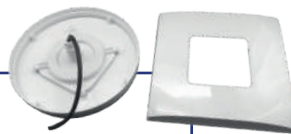


## CHARACTERISTICS

- Simple and patented fixing system for all 1"1/2 sealing parts in the market
- Standard or Tunable collimator for optimal lighting diffusion
- Cover color options (p.34)

### KIT COMPONENTS

- 2 white ABS DESIGN covers (round and square)
- 1 2.4 ml cable
- 1 ring to be screwed into 1"1/2
- 1 liner thickness-compensation spacer



CODE	STANDARD DESIGN EASYLED PROJECTOR
65050LB15	6-LED DESIGN Easyled white (26 W – 36 VA)
65050LB30	12-LED DESIGN Easyled white (42 W – 52 VA)
65050LC15	12-LED DESIGN Easyled color (36 W – 45 VA)
CODE	DESIGN EASYLED PROJECTOR TUNABLE
65050TW30	12-LED DESIGN Easyled Tunable white (20 W – 27 VA)
65050TC15	12-LED DESIGN Easyled Tunable color (36 W – 45 VA)

# EASYLED PROJECTOR



## IKONE RANGE

Clip-on projector for all pool types (concrete, concrete/liner, panel/liner, shell)



NEW!

### STANDARD

- 10 colors & 5 programs available in color LED
- Available in white (6 or 12 LED) and in color (12 LED)
- Remote control (p.38)



### TUNABLE

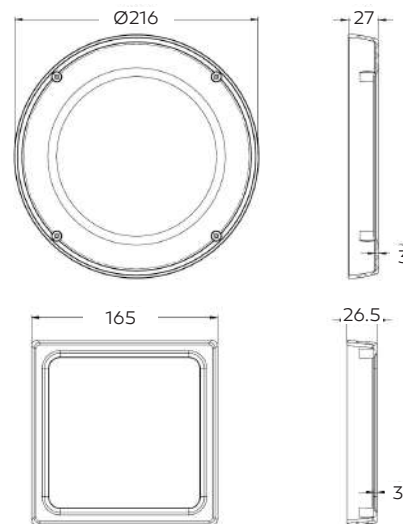


- Remote control with many features available from the **Blueswim Tunable** mobile application
- Available in white and in color (12-LED)
- Color and white tone customization (p.21)



## CHARACTERISTICS

- Simple and patented fixing system
- Clips on to all 1 1/2" sealing parts in the market
- Standard or Tunable collimator for optimal lighting diffusion
- Cover color options (p.34)



### KIT COMPONENTS

- 2 white ABS Ikone covers (round and square)
- 1 2.4 ml cable
- 1 ring to be screwed into 1 1/2"

CODE	STANDARD IKONE EASYLED PROJECTOR
65060LB15	6-LED IKONE Easyled white (26 W – 36 VA)
65060LB30	12-LED IKONE Easyled white (42 W – 52 VA)
65060LC15	12-LED IKONE Easyled color (36 W – 45 VA)
CODE	IKONE EASYLED PROJECTOR TUNABLE
65060TW30	12-LED IKONE Easyled Tunable white (20 W – 27 VA)
65060TC15	12-LED IKONE Easyled Tunable color (36 W – 45 VA)



# EASYLED PROJECTOR

## EVO RANGE

An extra flat clip-on projector for perfect, discrete integration.



FLAT OPTICS  
DISCREET INTEGRATION



### STANDARD

- 10 colors & 5 programs available in color LED
- Available in white (6 or 12 LED) and in color (12 LED)
- Remote control (p.38)



### TUNABLE

- Remote control with many features available from the **Blueswim Tunable** mobile application
- Available in white and in color (12-LED)
- Color and white tone customization (p.21)

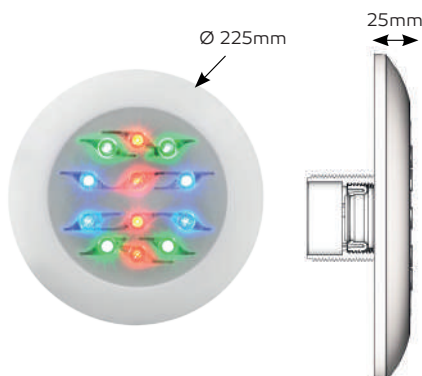


## CHARACTERISTICS

- Suitable for different types of pools (concrete, concrete/liner, panel/liner, shell)
- Simple and patented fixing system
- Ease of assembly: suitable for all 1"1/2 sealing parts in the market
- Available in white (6 or 12 LED) and in color (12 LED)
- Standard or Tunable collimator for optimal lighting diffusion

### KIT COMPONENTS

- 1 2.4 m cable
- 1 ring to be screwed into 1"1/2
- 1 liner thickness-compensation spacer



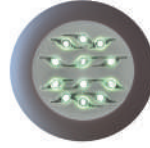
vacuum port not included



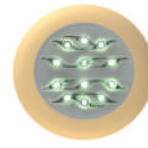
white



charcoal



gray



sand

CODE	COLOR	STANDARD EVO EASYLED
65040EVOLB15		6-LED white (26 W – 36 VA)
65043EVOLB15A		
65042EVOLB15G		
65041EVOLB15S		
65040EVOLB30		12-LED white (42 W – 52 VA)
65043EVOLB30A		
65042EVOLB30G		
65041EVOLB30S		
67040EVOLC15		12-LED color (36 W – 45 VA)
67043EVOLC15A		
67042EVOLC15G		
67041EVOLC15S		



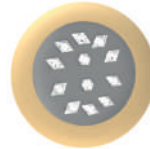
white



charcoal



gray



sand

CODE	COLOR	EVO EASYLED TUNABLE
65040EVOTW30		12-LED Tunable white (20 W – 27 VA)
65043EVOTW30A		12-LED Tunable white (20 W – 27 VA)
65042EVOTW30G		12-LED Tunable white (20 W – 27 VA)
65041EVOTW30S		12-LED Tunable white (20 W – 27 VA)
65040EVOTC15		12-LED Tunable color (36 W – 45 VA)
65043EVOTC15A		12-LED Tunable color (36 W – 45 VA)
65042EVOTC15G		12-LED Tunable color (36 W – 45 VA)
65041EVOTC15S		12-LED Tunable color (36 W – 45 VA)



# COVER COLOR OPTIONS

NEW!

## WE-LINE RANGE

WE-LINE COVERS  
FOR RENOVATION, NEW-BUILD PROJECTORS

CODE	COLOR
80486A	
80486G	
80486S	



WE-LINE COVERS  
FOR EASYLED PROJECTORS

CODE	COLOR
80487A	
80487G	
80487S	



## DESIGN RANGE

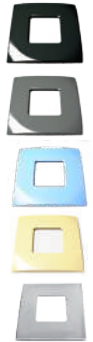
DESIGN ROUND COVER  
FOR RENOVATION, NEW-BUILD PROJECTORS

CODE	COLOR
64215A	
64215G	
64215B	
64215S	
64197i	INOX*



DESIGN SQUARE COVER  
FOR RENOVATION, NEW-BUILD PROJECTORS

CODE	COLOR
64216A	
64216G	
64216B	
64216S	
64230i	INOX*



\* not compatible with the EASYLED projector

## IKONE RANGE

IKONE ROUND COVER  
FOR RENOVATION, NEW-BUILD PROJECTORS

CODE	COLOR
64209A	
64209G	
64209S	
64209i	INOX



IKONE ROUND COVER  
FOR RENOVATION, NEW-BUILD PROJECTORS

CODE	COLOR
64210A	
64210G	
64210S	
64210i	INOX



## ELEGANCE RANGE

ELEGANCE COVER  
FOR NEW-BUILD PROJECTORS

CODE	COLOR
63157A	
63157G	
63157B	
63157S	



Explore the STAINLESS STEEL sealing parts range

[Learn more on p.70](#)




# SPOTTIE

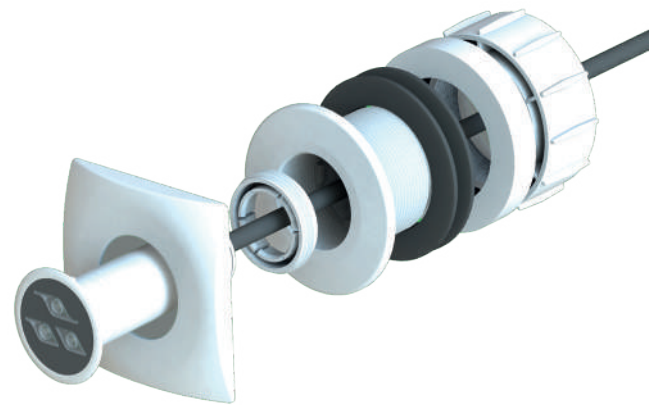


Mini projector suitable for all pool types and other areas: spa, balneo spaces, staircase steps, etc.



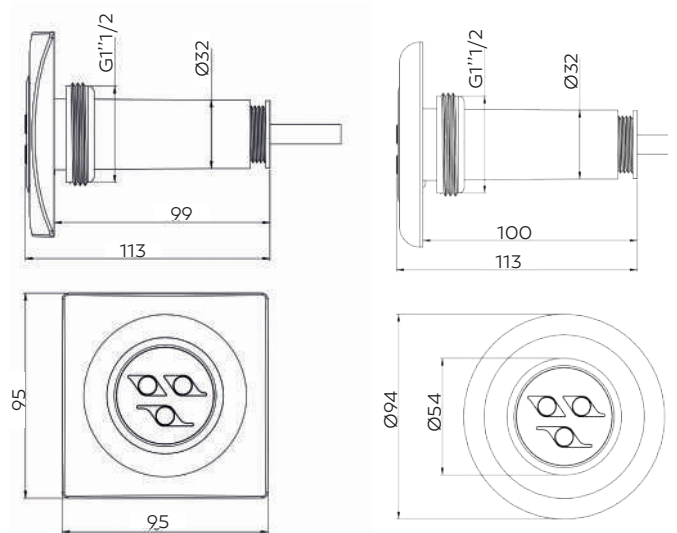
## CHARACTERISTICS




- Patented fixing system in 1"1/2 thread
- Can be assembled in tight or restricted areas (stairway, etc.).
- Available in white (1 or 3-LED) and in color (9-LED)
- Cover color options (p.21)
- Available in the **WE-LINE** range  (upon request)



### KIT COMPONENTS

- 1 2.4 m cable
- 2 DESIGN (square) and ELEGANCE (round) nozzle screw covers
- 1 part to be screwed into 1"1/2



CODE	SPOTTIE MINI PROJECTOR
65036	 1-LED Spottie projector white (7 W – 17 VA)
65050	 3-LED Spottie projector white (10 W – 20 VA)
65060	 9-LED Spottie projector color (10 W – 20 VA)



# SPOTTIE COVER COLOR OPTIONS



The Spottie offers complete customization thanks to ABS screw covers in 4 colors and the 3 ranges: WE-LINE, DESIGN, elegance

## WE-LINE RANGE

### WE-LINE COVER FOR SPOTTIE



CODE	COLOR
64167A	
64167G	
64167S	



## DESIGN RANGE

### DESIGN COVER FOR SPOTTIE

CODE	COLOR
64166A	
64166G	
64166B	
64166S	
64166INOX	INOX



## ELEGANCE RANGE

### ELEGANCE COVER FOR SPOTTIE

CODE	COLOR
62971A	
62971G	
62971B	
62971S	
64207	INOX



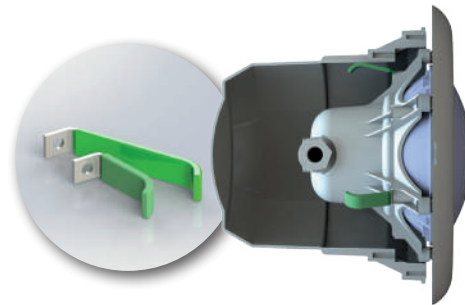
# 300W LIGHTING

*Assembly and disassembly of the optical unit in/from the recess without the need for tools*

## CHARACTERISTICS

We offer 4 different 300 W products, from the projector, to the light bulb, and accessories:

- Projector with or without recess with 300 W light bulb
- Glass light bulb projector with ABS cover.
- Deformable stainless steel clips to fit all recesses. They have an adhesive coating for optimum hold.
- Available for walls: concrete, concrete-liner, shell and panel-liner



## PRODUCT HIGHLIGHTS

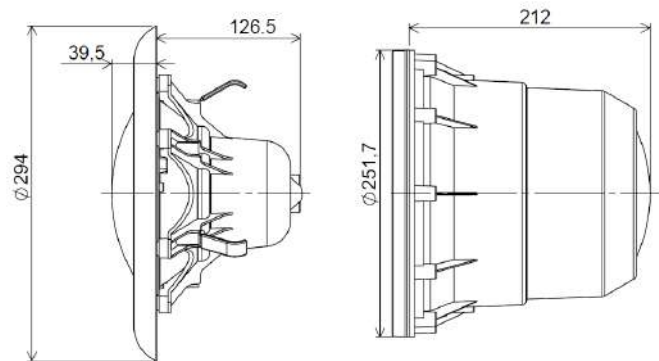
- Available with or without recess
- Clips provided for optimal fit



63030 - 63032

### KIT COMPONENTS

- 2.5ml cable 2x4mm<sup>2</sup>
- 1 protective sheath to connect to the junction box.



CODE	300W UNIVERSAL OPTICAL UNIT
63030	Concrete/Concrete-liner/Shell 300 W Elegance projector
63032	Panel-Liner 300W Elegance projector
63061	300W Projector without recess
62895	Incandescent Optical 300 W 12 V
60867L	Long clips for projector (3 units)

# LIGHTING CONTROL

MOBILE APPLICATION AND REMOTE CONTROLS

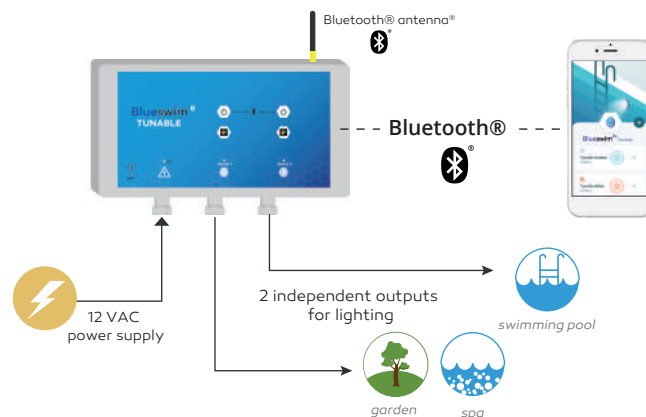


## Blueswim Tunable



Designed for the Tunable lighting range, the **Blueswim** application and its control unit to be set up in the plant room allows you to customize lighting in the pool and garden.

[Learn more on p.13](#)



### BROADBAND OVER POWERLINE UNIT WITH REMOTE CONTROL



- up to 4 color projectors
- unit to be connected to the power cable of the projectors at the transformer output
- fixed color rotation
- program rotation

### REMOTE CONTROL ON/OFF



- for white projectors
- can be built into any existing installation
- a module that can withstand 1000 W/5A, which connects to the transformer power supply (220 V)
- one remote control

### MULTIFUNCTIONAL MODULE WITH REMOTE CONTROL



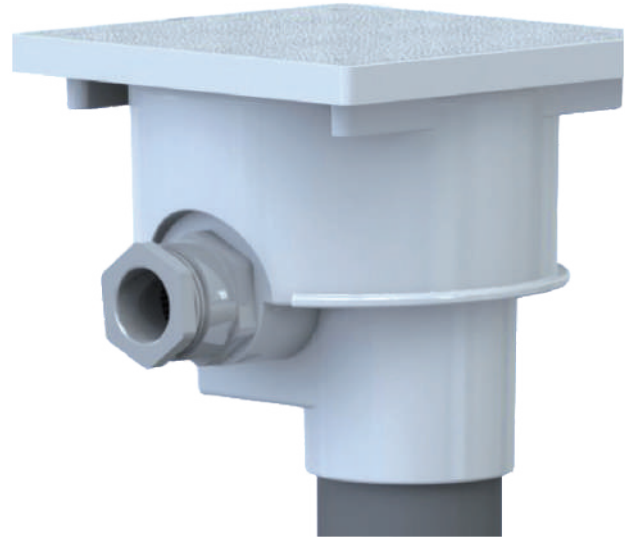
- for white and color projectors
- Button A: ON/OFF
- Button B: pulsed or ON/OFF controlled via:
  - electrical piezo button
  - electrical push button
  - pneumatic push button and switch

CODE	DESIGNATION
BLUE-TUN	Blueswim Tunable + control unit + application
63254	Broadband over powerline unit and BPL remote control
63254DI	Remote control + ON/ OFF unit assembly
810010-3	Multifunctional module and remote control

# JUNCTION BOX

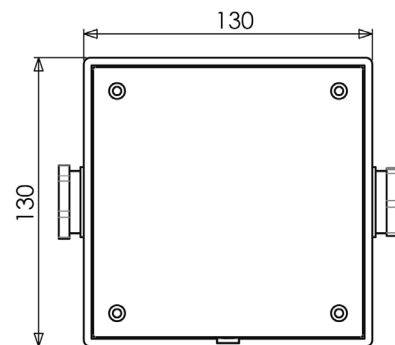
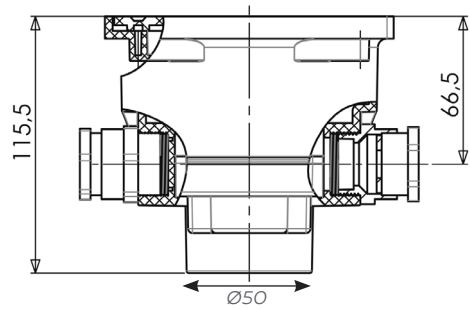
## CHARACTERISTICS

- It is used to connect up the projectors electrically.
- Available in 3 colors, to match the box with the patio or pool edge.



## COMPONENTS

- Box with cover
- 2 cable glands to clamp the cables or sealing parts piping. CCS



CODE	JUNCTION BOX 1 INPUT / 2 OUTPUTS	COLORS
63004	Junction box white	○
63004A	Junction box charcoal gray	●
63004G	Junction box gray	●
63004S	Junction box sand	●









Pool equipment

# SEALING PARTS

- **WE-LINE RANGE** ..... 42
  - A400 SKIMMER ..... 42
  - A800 SKIMMER ..... 43
  - RETURN NOZZLES ..... 44
  - VACUUM PORTS ..... 46
  - ACCESSORIES ..... 46
  - MAIN DRAINS ..... 47
  - A200 SKIMMER ..... 48
- **DESIGN RANGE** ..... 48
  - A400 SKIMMER ..... 49
  - A500 NHL SKIMMER ..... 50
  - A600 SKIMMER ..... 51
  - A800 SKIMMER ..... 52
  - RENOVATION KIT ..... 53
  - RETURN NOZZLES ..... 54
  - VACUUM PORTS ..... 56
  - ACCESSORIES ..... 57
  - MAIN DRAINS ..... 58
  - A400 SKIMMER ..... 59
- **ELEGANCE RANGE** ..... 59
  - A600 SKIMMER ..... 60
  - JUMBOSKIM ..... 61
  - RENOVATION KIT ..... 62
  - RETURN NOZZLES ..... 63
  - ACCESSORIES ..... 66
  - MAIN DRAINS ..... 67
- **OPTIONS** ..... 68
- **SEALING PARTS WITH INSERTS** ..... 69
- **STAINLESS STEEL SEALING PARTS** ..... 70
  - STAINLESS STEEL SKIMMER ..... 71
  - STAINLESS STEEL ACCESSORIES ..... 71

# WE-LINE RANGE

With its modern workmanship, the We-line range enhances pools with its modern design. Explore all our products: skimmers, nozzles, and main drains.



## SKIMMER SPECIFICATIONS

- Made from ABS, UV-resistant
- 1"1/2 internal thread, 2" external thread or ø50 mm to be glued
- Overflow side outlets
- White or color flap
- Basket
- 100% stainless steel screws

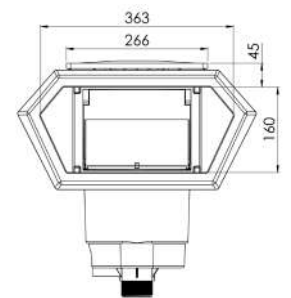
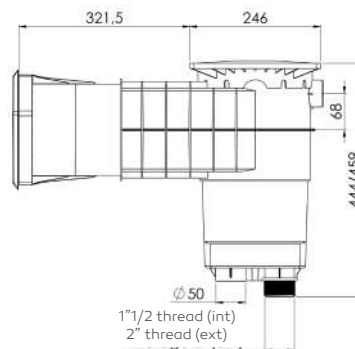
## FLOW AT SKIMMER MOUTH

- Approx. 7 m<sup>3</sup>/h (with a speed of 1.5 m/s) if connected to the 1"1/2 outlet with a D50 pipe
- Approx. 10 m<sup>3</sup>/h (with a speed of 1.5 m/s) if connected to the 2" outlet with a D63 pipe

# A400 SKIMMER

## WE-LINE RANGE

## CHARACTERISTICS



### OPTIONS P.68

- raiser ref. 60851 and extension ref. 62093
- lid color options

CODE	A400 WE-LINE SKIMMER	COLOR
94086	Concrete	
94286	Shell / Concrete-liner	
94386	Panel-liner	
94286A	Shell / Concrete-liner	
94386A	Panel-liner	
94286G	Shell / Concrete-liner	
94386G	Panel-liner	
94286S	Shell / Concrete-liner	
94386S	Panel-liner	



# A800 SKIMMER

**WE-LINE RANGE**

## CHARACTERISTICS



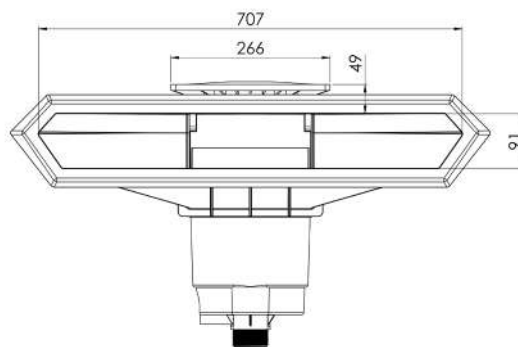
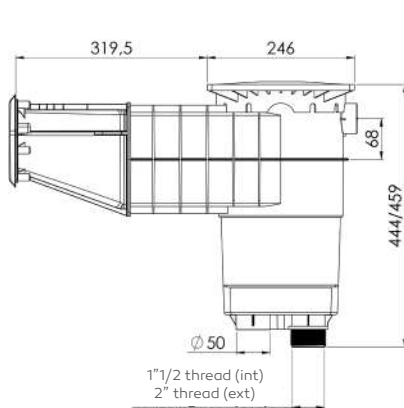
- The model provides elegant leveling and sits close to the coping (up to 8cm from the pool edge)
- Made from ABS, UV-resistant with wide mouth

## PRODUCT HIGHLIGHTS

- 1 single box for better product identification, storage and protection
- Fixation clips and glue or screws included if needed according to the model
- Can be connected to an overflow

### OPTIONS P.68

- raiser ref. 60851 and extension ref. 62093
- lid color options



CODE	A800 WE-LINE SKIMMER	COLOR
97286	Concrete / Shell / Concrete-liner	
97386	Panel-liner	
97286A	Concrete / Shell / Concrete-liner	
97386A	Panel-liner	
97286G	Concrete / Shell / Concrete-liner	
97386G	Panel-liner	
97286S	Concrete / Shell / Concrete-liner	
97386S	Panel-liner	





# RETURN NOZZLES

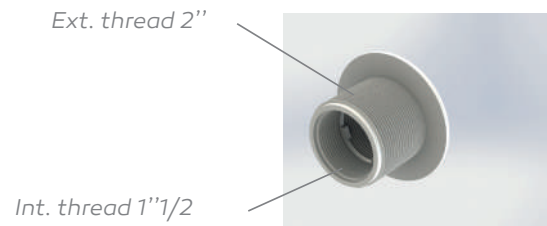
## WE-LINE RANGE

### CHARACTERISTICS

- Ball-joint adjustable-direction nozzle
- Ø74mm hole for panels
- Ø59mm hole for shells
- Made from ABS
- 2 assembly options: screw-in or glue-in
- Approx. flow of 10 m<sup>3</sup>/h to 0.6 bar



### SCREW-IN NOZZLES

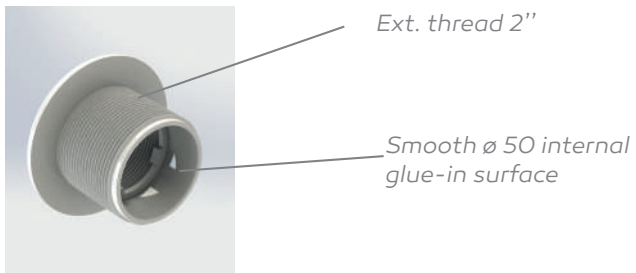


CODE	WE-LINE SCREW-IN RETURN NOZZLE
64286	Concrete
64287	Concrete-liner / Panel-liner
64288	Shell



CODE	WE-LINE SCREW-IN RETURN NOZZLE	COLOR
64287A	Concrete-liner / Panel-liner	
64287G	Concrete-liner / Panel-liner	
64287S	Concrete-liner / Panel-liner	

## GLUE-IN NOZZLES



Concrete



Concrete-liner / Panel-liner



Shell

CODE	WE-LINE GLUE-IN RETURN NOZZLE
64296	Concrete
64297	Concrete-liner / Panel-liner
64298	Shell






charcoal



gray



sand

CODE	WE-LINE GLUE-IN RETURN NOZZLE	COLOR
64297A	Concrete-liner / Panel-liner	
64297G	Concrete-liner / Panel-liner	
64297S	Concrete-liner / Panel-liner	

# VACUUM PORTS

## WE-LINE RANGE

- Available for all wall types
- Panel: ø 74mm hole
- Shell: ø 59mm hole
- Made from ABS to be corrosion-resistant
- 2 assembly options: screw-in or glue-in



Concrete



Concrete-liner / Panel-liner

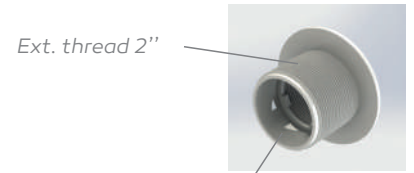


Shell



Ext. thread 2"

Int. thread 1 1/2"



Ext. thread 2"

Smooth ø 50 internal glue-in surface

## SCREW-IN VACUUM PORTS

CODE	WE-LINE SCREW-IN VACUUM PORT
80473	Concrete
80474	Concrete-liner and panel-liner
80475	Shell

## GLUE-IN VACUUM PORTS

CODE	WE-LINE GLUE-IN VACUUM PORT
80476	Concrete
80477	Concrete-liner and panel-liner
80478	Shell

# ACCESSORIES

- Suitable for most 1 1/2" sealing parts in the market
- Mass dyed



## BALL-JOINT ADJUSTABLE-DIRECTION NOZZLE



CODE	COLOR
80483	White
80483A	Black
80483G	Grey
80483S	Yellow

## GRATE

max. flow 1.4 m<sup>3</sup>/h for 0.5 m/s



CODE	COLOR
80485	White
80485A	Black
80485G	Grey
80485S	Yellow

## PLUG



CODE	COLOR
80484	White
80484A	Black
80484G	Grey
80484S	Yellow

## SCREW COVER

FOR CONCRETE AND SHELL WALLS

CODE	COLOR
80480	White
80480A	Black
80480G	Grey
80480S	Yellow

FOR CONCRETE-LINER AND PANEL-LINER WALLS

CODE	COLOR
64167	White
64167A	Black
64167G	Grey
64167S	Yellow



# MAIN DRAINS



WE-LINE RANGE

Fully adjustable and rotating



## CHARACTERISTICS

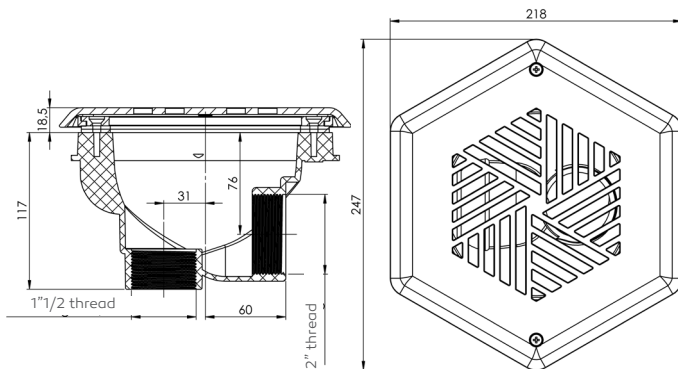


- An ingenious main drain system which can be used to align the WE-LINE main drain grate with the pool walls.
- Grate and flange available in color
- Max. main drain flow 13.2 m<sup>3</sup>/h for 0.5 m/s

## PRODUCT HIGHLIGHTS

### EASY ASSEMBLY

1. Seal the bowl.
2. Adjust the flange and grate to ensure the kit is fully aligned with the pool.



CODE	DESIGNATION
80455	Universal main drain

## COLOR OPTIONS

- Available in 3 colors, mass-dyed
- Can be used on any other Weltico main drain

CODE	COLORS
80455A	
80455G	
80455S	





## DESIGN RANGE

An affirmed and modern style with its distinct sharp edges and straight lines.



### SKIMMER SPECIFICATIONS

- Side outlets for a constant level
- 100% stainless steel screws
- 1 1/2" internal thread, 2" external thread or Ø 50 mm to be glued
- White or color flap
- Basket

### FLOW AT SKIMMER MOUTH

- Approx. 7 m<sup>3</sup>/h (with a speed of 1.5 m/s) if connected to the 1 1/2" outlet with a D50 pipe
- Approx. 10 m<sup>3</sup>/h (with a speed of 1.5 m/s) if connected to the 2" outlet with a D63 pipe

# A200 SKIMMER

## DESIGN RANGE

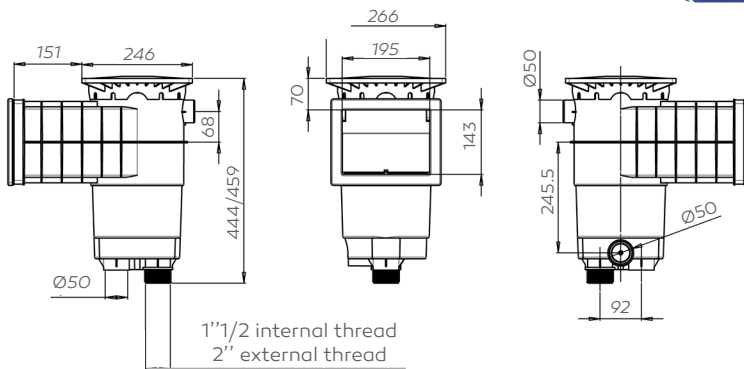
### CHARACTERISTICS



- Made from ABS, UV-resistant
- Only available in white

### PRODUCT HIGHLIGHTS

- 1 single box for better product identification, storage and protection
- Fixation clips and glue or screws included if needed according to the model
- Can be connected to an overflow



### OPTIONS P.68

- raiser ref. 60851 and extension ref. 62093
- lid color options

CODE	A200 DESIGN SKIMMER
92085	Concrete
92285	Concrete-liner / shell
92385	Panel-liner

# A400 SKIMMER

DESIGN RANGE

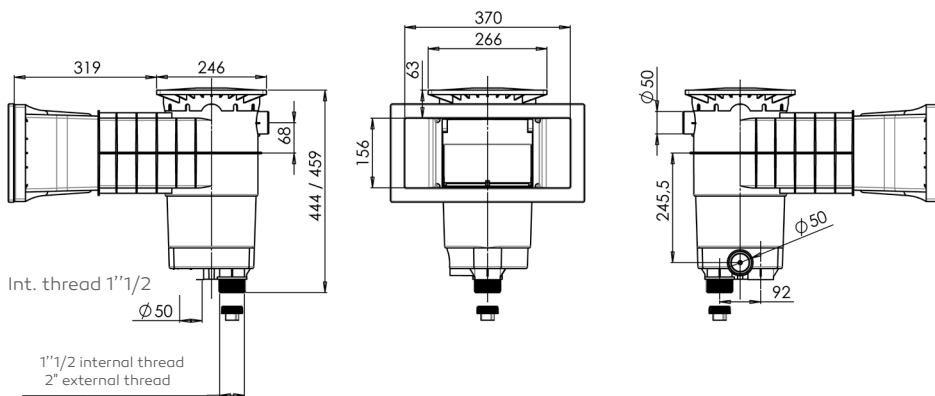
## CHARACTERISTICS



- Simple and functional
- Skimmer mouth (400x200 opening)
- Made from ABS, UV-resistant
- Stainless steel skimmer mouth faceplate available (p.71)

### OPTIONS P.68

- raiser ref. 60851 and extension ref. 62093
- lid color options



CODE	A400 DESIGN SKIMMER	COLOR
92086	Concrete	○
92286	Concrete / shell / concrete-liner	○
92386	Panel-liner	○
92286A	Concrete / shell / concrete-liner	●
92386A	Panel-liner	●
92286G	Concrete / shell / concrete-liner	●
92386G	Panel-liner	●
92286S	Concrete / shell / concrete-liner	●
92386S	Panel-liner	●
92286B	Concrete / shell / concrete-liner	●
92386B	Panel-liner	●



# A500 NHL SKIMMER

## DESIGN RANGE

Specially designed for discrete integration, the A500 NHL skimmer raises the water level to only 45mm under the pool edge. The gap between the water level and the coping is practically invisible, almost making it a mirror swimming pool.

## CHARACTERISTICS



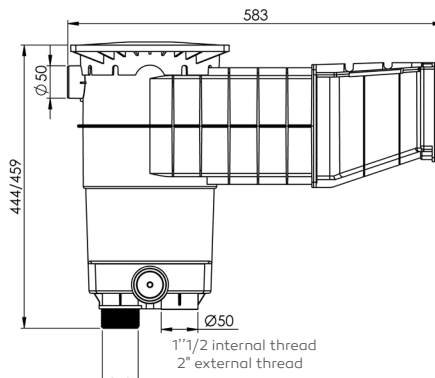
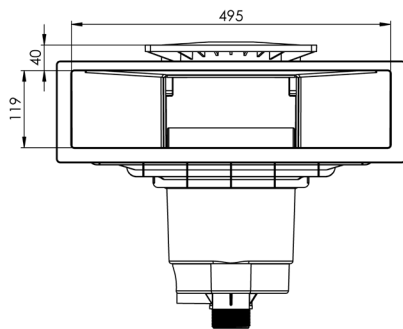
- ABS, UV-resistant
- Suction fitting: 1 1/2" internal thread, 2" external thread or Ø 50 mm to be glued



A500 NHL



Standard A600

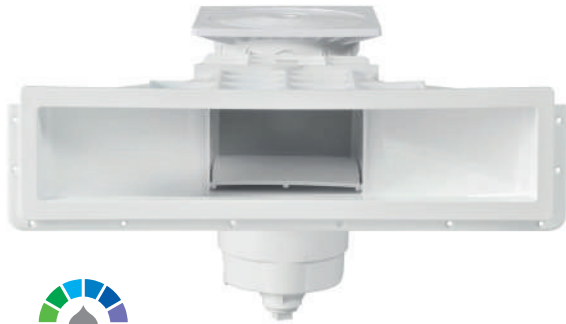


CODE	A500 NHL DESIGN SKIMMER	COLOR
95286	Concrete-liner	
95386	Panel-liner	
95286A	Concrete-liner	
95386A	Panel-liner	
95286G	Concrete-liner	
95386G	Panel-liner	
95286S	Concrete-liner	
95386S	Panel-liner	

# A600 SKIMMER

DESIGN RANGE

## CHARACTERISTICS

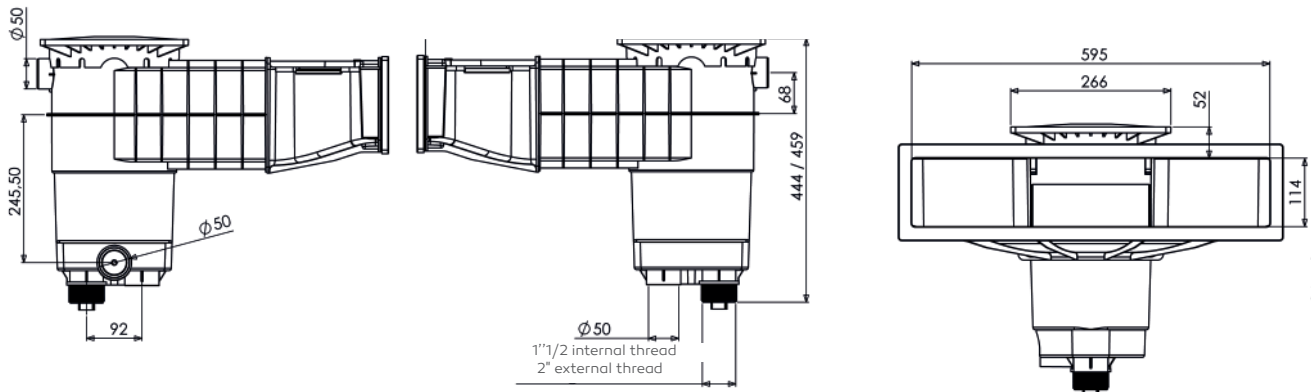


COLOR OPTIONS

- The model provides elegant leveling and sits close to the coping (up to 8cm from the pool edge)
- Made from ABS, UV-resistant with wide mouth
- Available in Stainless Steel (p.71)

### PRODUCT HIGHLIGHTS

- 1 single box for better product identification, storage and protection
- Fixation clips and glue or screws included if needed according to the model
- Can be connected to an overflow



CODE	A600 DESIGN SKIMMER	COLOR
91286	Concrete-liner	
91386	Panel-liner	
91286A	Concrete-liner	
91386A	Panel-liner	
91286G	Concrete-liner	
91386G	Panel-liner	
91286S	Concrete-liner	
91386S	Panel-liner	
91286B	Concrete-liner	
91386B	Panel-liner	







# A800 SKIMMER

DESIGN RANGE

## CHARACTERISTICS



2 MODELS



concrete

panel

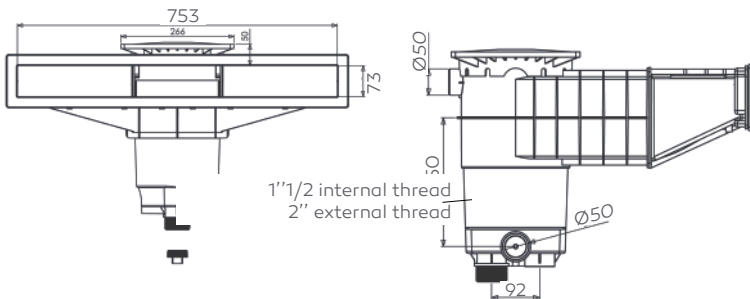
- The model provides elegant leveling and sits close to the coping (up to 8cm from the pool edge)
- Made from ABS, UV-resistant with wide mouth
- Available in Stainless Steel (p.71)

### PRODUCT HIGHLIGHTS

- 1 single box for better product identification, storage and protection
- Fixation clips and glue or screws included if needed according to the model
- Can be connected to an overflow

### OPTIONS P.68

- raiser ref. 60851 and extension ref. 62093
- lid color options



CODE	A800 DESIGN SKIMMER	COLOR
96286	Concrete-liner	○
96386	Panel-liner	○
96286A	Concrete-liner	●
96386A	Panel-liner	●
96286G	Concrete-liner	●
96386G	Panel-liner	●
96286S	Concrete-liner	●
96386S	Panel-liner	●
96286B	Concrete-liner	●
96386B	Panel-liner	●



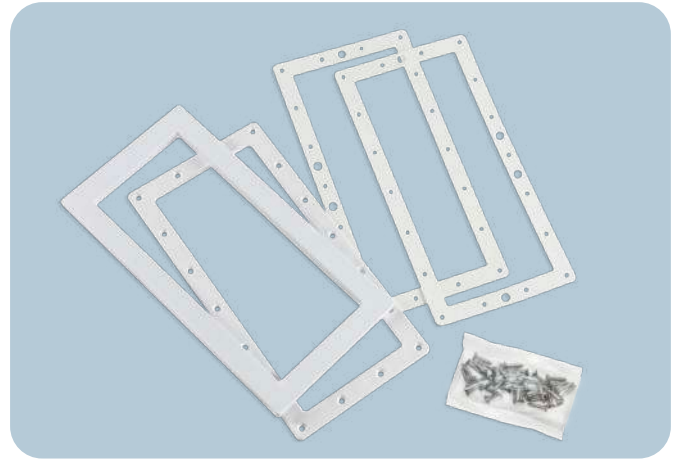
# RENOVATION KIT

## DESIGN RANGE

A complete renovation kit for DESIGN skimmers A200 to A800

## CHARACTERISTICS

- Also available for skimfilters and twinfilters
- Available in 4 colors
- 1 single complete ready-to-use solution



DESIGN A400 kit

## KIT COMPONENTS

- 2 seals
- Screws
- Counter-flange
- Screw cover



CODE	DESIGN SPECIFIC RENOVATION KIT	COLOR
60664	Design A200 Skimmer renovation kit	
62547	Design A300 Skimmer renovation kit	
60660	Design A400 Skimmer renovation kit	
60660A	Design A400 Skimmer renovation kit	
60660G	Design A400 Skimmer renovation kit	
60660S	Design A400 Skimmer renovation kit	
60660B	Design A400 Skimmer renovation kit	
64321D	Design A600 Skimmer renovation kit	
64321DA	Design A600 Skimmer renovation kit	
64321DG	Design A600 Skimmer renovation kit	
64321DS	Design A600 Skimmer renovation kit	
64321DB	Design A600 Skimmer renovation kit	
64232	Design A800 Skimmer renovation kit	
64232A	Design A800 Skimmer renovation kit	
64232G	Design A800 Skimmer renovation kit	
64232S	Design A800 Skimmer renovation kit	
64232B	Design A800 Skimmer renovation kit	

# RETURN NOZZLES

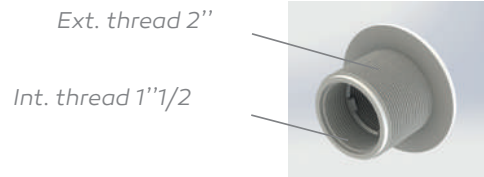
DESIGN RANGE

## CHARACTERISTICS

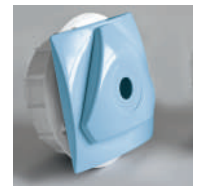
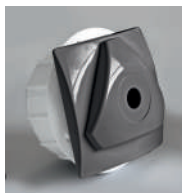
- Ø74mm hole for panels
- Ø59mm hole for shells
- Made from ABS
- 2 assembly options: screw-in or glue-in
- Approx. flow of 10 m<sup>3</sup>/h to 0.6 bar



## SCREW-IN NOZZLES



CODE	DESIGN SCREW-IN RETURN NOZZLE
64179	Concrete
64183	Concrete-liner / Panel-liner
64187	Shell



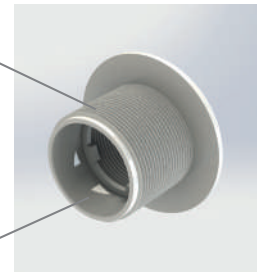
CODE	DESIGN SCREW-IN RETURN NOZZLE	COLOR
64183A	Concrete-liner / Panel-liner	●
64183G	Concrete-liner / Panel-liner	●
64183S	Concrete-liner / Panel-liner	●
64183B	Concrete-liner / Panel-liner	●

## GLUE-IN NOZZLES



Ext. thread 2"

Smooth  $\varnothing$  50  
internal glue-in  
surface



CODE	DESIGN GLUE-IN RETURN NOZZLE
64180	Concrete
64184	Concrete-liner / Panel-liner
64188	Shell



64184A



64184G



64184S



64184B

CODE	DESIGN GLUE-IN RETURN NOZZLE	COLOR
64184A	Concrete-liner / Panel-liner	
64184G	Concrete-liner / Panel-liner	
64184S	Concrete-liner / Panel-liner	
64184B	Concrete-liner / Panel-liner	



# VACUUM PORTS

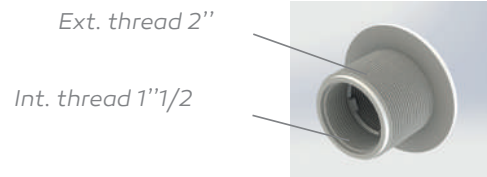
DESIGN RANGE



## CHARACTERISTICS

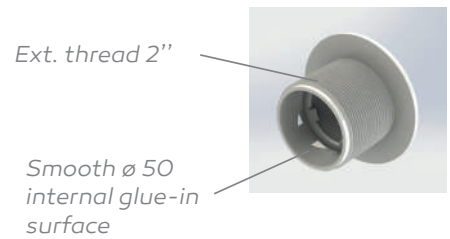
- Panel: ø 74mm hole
- Shell: ø 59mm hole
- Made from ABS to be corrosion-resistant
- 2 assembly options: screw-in or glue-in

## SCREW-IN VACUUM PORTS



CODE	1"1/2 SCREW-IN DESIGN VACUUM PORT
64181	Concrete
64185	Concrete-liner and panel-liner
64189	Shell

## GLUE-IN VACUUM PORTS



CODE	Ø 50MM GLUE-IN DESIGN VACUUM PORT
64182	Concrete
64186	Concrete-liner and panel-liner
64190	Shell

## WALL PIPES

- 300mm in length (cut to size)
- Made from ABS



CODE	WALL PIPES
62370	Concrete
62983	Concrete-liner

# ACCESSORIES

DESIGN RANGE

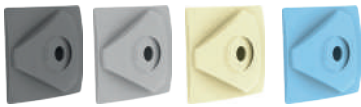
## CHARACTERISTICS

- Suitable for most 1"1/2 sealing parts in the market
- Mass dyed

### BALL-JOINT ADJUSTABLE-DIRECTION NOZZLE



64170



64170A 64170G 64170S 64170B

CODE	COLOR
64170	
64170A	
64170G	
64170S	
64170B	

### GRATE

max. flow 1.14 m<sup>3</sup>/h for 0.5 m/s



64163



64163A 64163G 64163S 64163B

CODE	COLOR
64163	
64163A	
64163G	
64163S	
64163B	

### PLUG



64178



64178A 64178G 64178S 64178B

CODE	COLOR
64178	
64178A	
64178G	
64178S	
64178B	

### SCREW COVER



FOR CONCRETE AND SHELL WALLS

CODE	COLOR
64165	
64165A	
64165G	
64165S	
64165B	

FOR CONCRETE-LINER / PANEL-LINER WALLS

CODE	COLOR
64166	
64166A	
64166G	
64166S	
64166B	

# MAIN DRAINS



DESIGN RANGE

Fully adjustable and rotating



## CHARACTERISTICS



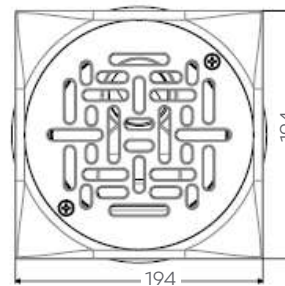
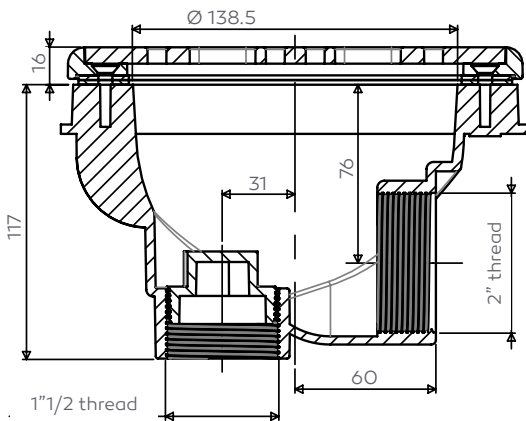
An ingenious main drain system which can be used to align the grate with the pool walls.

- Grate and flange still available in color and stainless steel
- Max. flow 11.75 m<sup>3</sup>/h for 0.5 m/s

**PRODUCT HIGHLIGHTS**

EASY ASSEMBLY

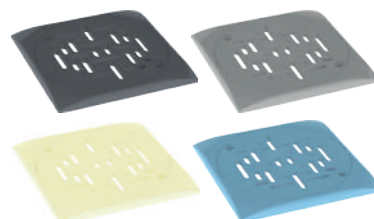
1. Seal the bowl.
2. Adjust the flange and grate to ensure the kit is fully aligned with the pool.



CODE	DESIGNATION
64171	Universal main drain

## COLOR OPTIONS

- Available in 4 colors, mass-dyed
- Can be used on any other Weltico main drain



CODE	COLORS
63690A	●
63690G	●
63690S	●
63690B	●

# ELEGANCE RANGE

The must-haves of the Weltico range with gentle lines and high volume



## SKIMMER SPECIFICATIONS

- 100% stainless steel screws
- Overflow side outlets
- 1 1/2" internal thread, 2" external thread or ø50 mm to be glued
- White or color flap
- Basket
- Skimmer mouth faceplate available in charcoal gray, gray, sand and blue

## FLOW AT SKIMMER MOUTH

- Approx. 7 m<sup>3</sup>/h (with a speed of 1.5 m/s) if connected to the 1 1/2" outlet with a D50 pipe
- Approx. 10 m<sup>3</sup>/h (with a speed of 1.5 m/s) if connected to the 2" outlet with a D63 pipe

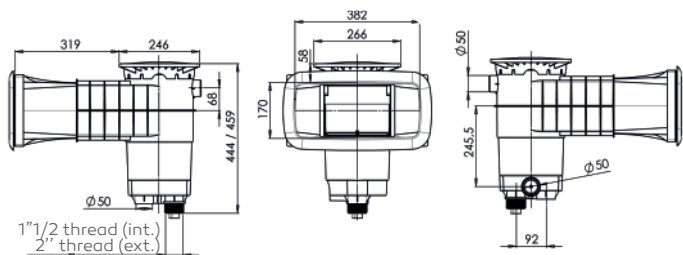
# A400 SKIMMER

ELEGANCE RANGE

## CHARACTERISTICS



- Simple and functional
- Skimmer mouth (400x200 opening)
- Made from ABS, UV-resistant



### OPTIONS P.68

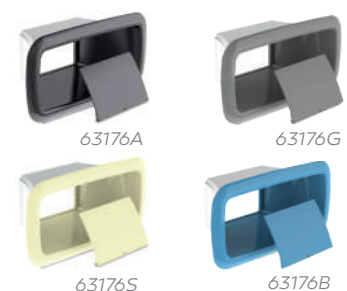
- raiser ref. 60851 and extension ref. 62093
- lid color options

CODE	A600 ELEGANCE SKIMMER
93086	Concrete
93286	Concrete-Liner / Shell
93386	Panel-liner

## COVER OPTIONS

- Covers the skimmer mouth completely
- A perfect finish without any screw cover
- No need to disassemble white standard skimmer

CODE	COLOR
63176	
63176A	
63176G	
63176S	
63176B	





# A600 SKIMMER

**ELEGANCE RANGE**

## CHARACTERISTICS



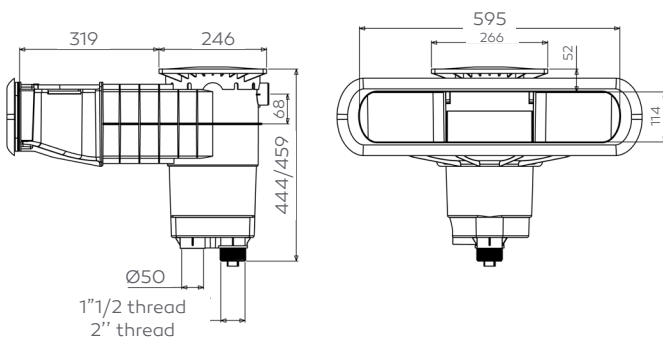
- The model provides elegant leveling and sits close to the coping (up to 8cm from the pool edge)
- Made from ABS, UV-resistant with wide mouth

## PRODUCT HIGHLIGHTS

- 1 single box for better product identification, storage and protection
- Fixation clips and glue or screws included if needed according to the model
- Can be connected to an overflow

### OPTIONS P.68

- raiser ref. 60851 and extension ref. 62093
- lid color options



CODE	A600 ELEGANCE SKIMMER	COLOR
90286	Concrete-liner	○
90386	Panel-liner	○
90286A	Concrete-liner	●
90386A	Panel-liner	●
90286G	Concrete-liner	●
90386G	Panel-liner	●
90286S	Concrete-liner	●
90386S	Panel-liner	●
90286B	Concrete-liner	●
90386B	Panel-liner	●

# JUMBOSKIM

**ELEGANCE RANGE**

An A400 skimmer equipped with a pre-filter and high capacity tank

## CHARACTERISTICS

- Skimmer mouth (200x400 opening)
- Made from ABS, UV-resistant



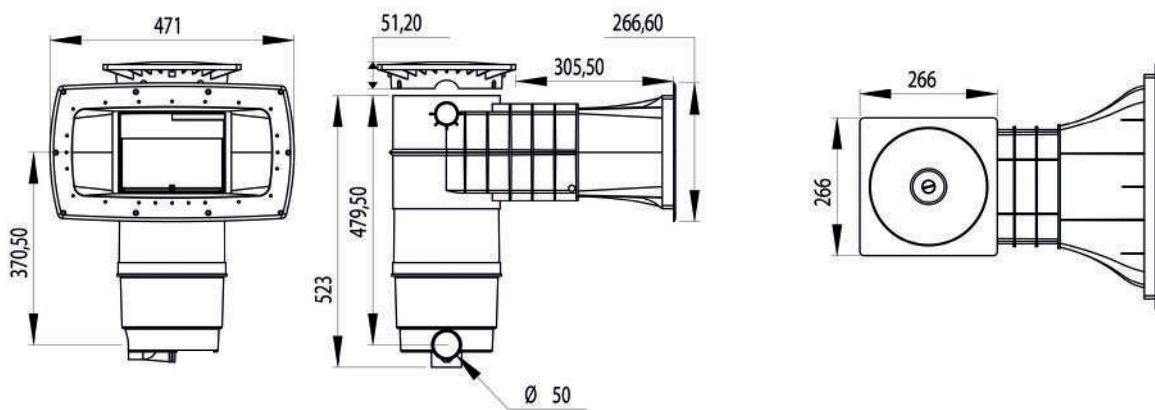
## PRODUCT HIGHLIGHTS

- Everbag pre-filter included (see p. <?>)



## HIGH-CAPACITY FILTER BAG (REPLACES BASKET):

- Features a rigid ABS ring
- A filter bag made of rigid woven fabric with 500-micron efficiency
- This filters all large impurities (leaves, grass, bugs, etc.) to reduce clogging of the pump pre-filter basket
- Easy cleaning by turning it inside out and brushing lightly
- Max. flow of approx. 7 m<sup>3</sup>/h



CODE	DESIGNATION	RETAIL PRICE € EXCL. VAT
99086J	JUMBOSKIM Concrete	151.80
99286J	JUMBOSKIM Concrete-liner / Shell	183.30
99386J	JUMBOSKIM Panel-liner	194.00
90095J	Regulator for JUMBOSKIM	141.20

# RENOVATION KIT

## ELEGANCE RANGE

A complete renovation kit for ELEGANCE skimmers A400 to A600

### CHARACTERISTICS

- Also available for skimfilters and twinfilters
- Available in 4 colors
- 1 single complete ready-to-use solution



ELEGANCE A400 kit

### KIT COMPONENTS

- 2 seals
- Screws
- Counter-flange
- Screw cover

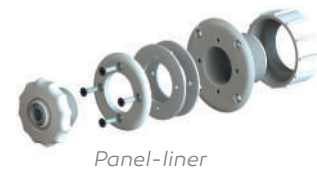
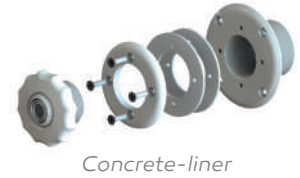
CODE	SPECIFIC RENOVATION KIT
62743	Elegance A400 Skimmer renovation kit
62743A	Elegance A400 Skimmer renovation kit
62743G	Elegance A400 Skimmer renovation kit
62743S	Elegance A400 Skimmer renovation kit
62743B	Elegance A400 Skimmer renovation kit
64321E	Elegance A600 Skimmer renovation kit
64321EA	Elegance A600 Skimmer renovation kit
64321EG	Elegance A600 Skimmer renovation kit
64321ES	Elegance A600 Skimmer renovation kit
64321EB	Elegance A600 Skimmer renovation kit

# RETURN NOZZLES

**ELEGANCE RANGE**

## CHARACTERISTICS

- Ø74mm hole for panels
- Ø59mm hole for shells
- Made from ABS
- 2 assembly options: screw-in or glue-in
- Flow can be adjusted by extending the ball-joint



## SCREW-IN NOZZLES



CODE	ELEGANCE SCREW-IN RETURN NOZZLE
62994	Concrete
62995	Concrete-liner
62997	Panel-liner
62996	Shell



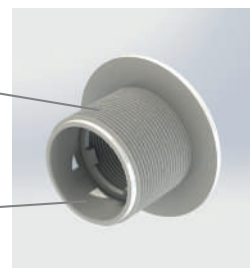
CODE	ELEGANCE SCREW-IN RETURN NOZZLE	COLOR
62995A	Concrete-liner	●
62995G	Concrete-liner	●
62995S	Concrete-liner	●
62995B	Concrete-liner	●
62997A	Panel-liner	●
62997G	Panel-liner	●
62997S	Panel-liner	●
62997B	Panel-liner	●

## GLUE-IN NOZZLES



Ext. thread 2"

Smooth  $\varnothing$  50 internal glue-in surface



CODE	ELEGANCE GLUE-IN RETURN NOZZLE
64239	Concrete
62998	Concrete-liner
62986	Panel-liner
62988	Shell



CODE	ELEGANCE SCREW-IN RETURN NOZZLE	COLOR
62998A	Concrete-liner	●
62998G	Concrete-liner	●
62998S	Concrete-liner	●
62998B	Concrete-liner	●
62986A	Panel-liner	●
62986G	Panel-liner	●
62986S	Panel-liner	●
62986B	Panel-liner	●



# VACUUM PORTS

**ELEGANCE RANGE**

## CHARACTERISTICS

- Made from ABS to be corrosion-resistant
- 4 colors to choose from for covers, grates and plugs
- 2 assembly options: 1" 1/2, 2" screw-in external thread or ø 50mm to be glued in



62984



62991



## SCREW-IN VACUUM PORTS



62990

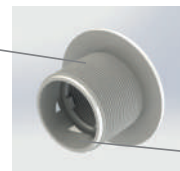
Ext. thread 2"  
Int. thread 1"1/2



CODE	ELEGANCE SCREW-IN VACUUM PORT
62984	Concrete
62991	Concrete-liner
62990	Panel-liner
62993	Shell

## GLUE-IN VACUUM PORTS

Ext. thread 2"



Smooth ø 50  
internal glue-in  
surface

CODE	ELEGANCE GLUE-IN VACUUM PORT
62985	Concrete
62992	Concrete-liner
62987	Panel-liner
62989	Shell

## WALL PIPES

- 300mm in length (cut to size)
- Made from ABS



62370



62983

CODE	WALL PIPES
62370	Concrete
62983	Concrete-liner

# ACCESSORIES

**ELEGANCE RANGE**

## CHARACTERISTICS:

- Suitable for most 1"1/2 sealing parts in the market
- Mass dyed
- Match up your colors with the pool's liner and steps

### ADJUSTABLE-DIRECTION NOZZLE



CODE	COLOR
63003	○
63003A	●
63003G	●
63003S	●
63003B	●

### GRATE

max. flow 1 m<sup>3</sup>/h for 0.5 m<sup>3</sup>/s



CODE	COLOR
63184	○
63184A	●
63184G	●
63184S	●
63184B	●

### PLUG



CODE	COLOR
63183	○
63183A	●
63183G	●
63183S	●
63183B	●

### SCREW COVER



CODE	COLOR
62971	○
62971A	●
62971G	●
62971S	●
62971B	●

# MAIN DRAINS

**ELEGANCE RANGE**



## CHARACTERISTICS

- Made in ABS and available in 4 colors
- 2" side and 1" ½ underside outlets
- 2 models available: standard and anti-vortex grates
- Max. flow 14.9 m<sup>3</sup>/h for 0.5 m/s
- Fully adjustable and rotating

### MAIN DRAIN WITH STANDARD GRATE

- Universal

CODE	DESIGNATION
64172	Main drain with standard grates



64172

### ANTI-VORTEX AND PLATED MAIN DRAIN

- Designed to prevent the risk of swimmers being suctioned by the main drain
- Universal clip-on kit version available
- Max. flow 5.8m<sup>3</sup>/h for 0.5 m/s

CODE	DESIGNATION
62999	Anti-vortex Concrete-liner main drain
64173	Anti-vortex kit to be attached to the drain



62999

### COLOR OPTIONS: GRATE AND FLANGE KIT

- Mass dyed
- Can be used on any other Weltico main drain
- In ABS



CODE	COLOR
63158A	
63158G	
63158S	
63158B	



# OPTIONS

**WE-LINE RANGE**

**DESIGN RANGE**

**ELEGANCE RANGE**

SEALING PARTS

## SKIMMER LID

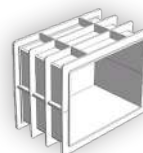
- Made from ABS, UV-resistant
- 3 colors to choose from to match your skimmer and patio
- Compatible with our skimmers



CODE	SKIMMER LID + FRAME
8080A	
8080G	
8080S	

## RAISER AND EXTENSION

CODE	OPTION
62093	Extension
60851	Raiser



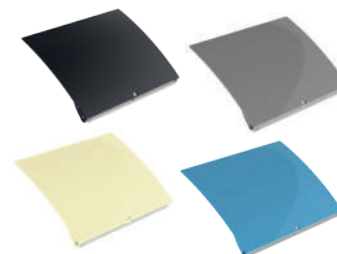
extension (L 132 mm)  
62093



raiser (H 37mm)  
60851

## SKIMMER BARRIER

CODE	COLOR
62341	
62341A	
62341G	
62341S	
62341B	



## LEVEL REGULATOR

- 2 mechanical regulators
- 1 electronic regulator with Modul'eau and its automatic swimming pool control and refilling system



63118



64237



modul'eau

### KIT COMPONENTS:

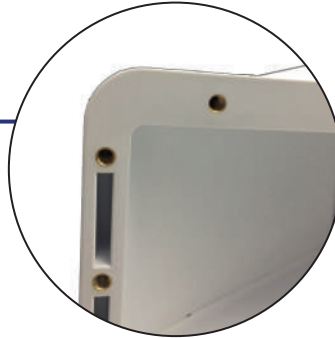
- Probe with a 2m cable (can be extended up to 20m)
- Fasteners and spare fuses

CODE	REGULATOR
63118	A200 and A400 level regulator with vertical float ball switch
64237	A600 and A800 level regulator for high levels with lever float ball switch
MODULEAU	Electronic regulator

# SEALING PARTS WITH INSERTS

## CHARACTERISTICS

- Brass inserts
- Cast-moulding by insertion
- Delivered in only one package



### A400 SKIMMER WITH INSERT

CODE	A400 SKIMMER WITH INSERT
92286IN	Concrete-liner / shell



### A600 SKIMMER WITH INSERTS

- Wider dimensions than the A400
- Leveling as close as possible to the edge

CODE	A600 SKIMMER
91286IN	Concrete-liner / shell



### NOZZLE WITH 1"½ INSERTS

CODE	DESIGNATION
63005	Concrete-liner



### VACUUM PORTS WITH 1"½ INSERTS

CODE	DESIGNATION
63006	Concrete-liner



### MAIN DRAIN WITH ANTI-VORTEX INSERTS

CODE	DESIGNATION
63007	Concrete-liner



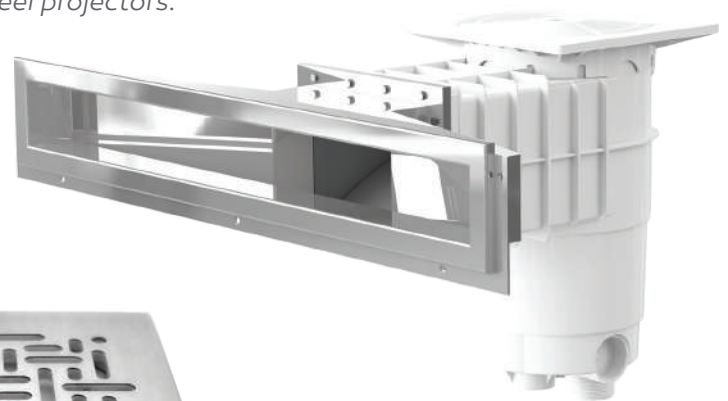
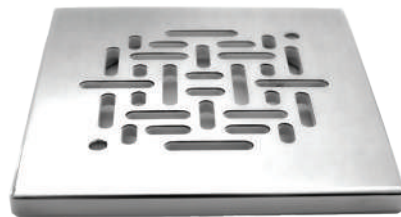
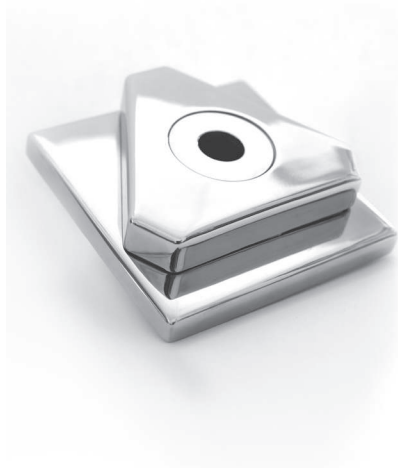




## STAINLESS STEEL SEALING PARTS

*Stainless steel is unquestionably a material of choice to enhance your pool and give it a high-end look.*

*If you are looking for partial or complete equipment for your pool, check out our range of skimmers, nozzle accessories and stainless steel projectors.*



*ACIS offers 316L STAINLESS STEEL parts with passivated joints (drilling, grinding, welding, etc.) and A4 stainless steel screws. In other words, grades with enhanced corrosive properties have been selected to resist "standard" pool water parameters (chlorine, pH, etc.).*

*As a result, ACIS STAINLESS STEEL parts will not be covered by warranty for any corrosion. Indeed, the physical and chemical parameters of water, the treatment of stray currents, the conditions of use, the maintenance of parts, are all elements that generate external and independent corrosion of our stainless steel parts.*

# STAINLESS STEEL SKIMMER

A high-end design

## PRODUCT HIGHLIGHTS

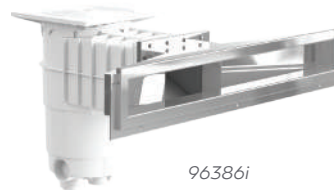
- 1 single box for better product identification, storage and protection
- Screws included for the assembly of A600 and A800



631561



91386i



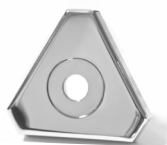
96386i

CODE	DESIGNATION
631561	A400 Stainless Steel skimmer mouth faceplate
913861	A600 Concrete-liner and Panel-liner Stainless Steel skimmer
963861	A800 Concrete-liner and Panel-liner Stainless Steel skimmer

# STAINLESS STEEL ACCESSORIES

Customize your DESIGN or ELEGANCE accessories with a stainless steel finish

## SCREW COVER AND STAINLESS STEEL NOZZLE



64201



64200



64199



64207

CODE	SCREW COVER AND STAINLESS STEEL NOZZLE
64199	Concrete and Shell nozzle Stainless steel DESIGN square screw cover
64200	Concrete-liner and Panel-liner nozzle Stainless Steel DESIGN square screw cover
64207	Concrete-liner and Panel-liner nozzle Stainless Steel Elegance round screw cover
64201	Stainless Steel DESIGN triangular ball-joint adjustable direction nozzle

## STAINLESS STEEL GRATE

TO be set on the DESIGN main drain grate

CODE	MAIN DRAIN ACCESSORIES
64198	Stainless Steel DESIGN square grate



+ STAINLESS STEEL PROJECTOR COVERS (SEE P.34)









Pool equipment

## FILTRATION

• CARTRIDGE FILTRATION RANGE .....	74
• CARTRIDGES .....	76
• ANTIBACTERIAL CARTRIDGES .....	77
• WELFILTRE .....	78
• DESIGN RANGE .....	80
A200 · A300 SKIMFILTRES .....	80
A400 · A600 · A800 SKIMFILTRES .....	81
• ELEGANCE RANGE .....	82
A400 · A600 SKIMFILTRES .....	82
TWINFILTRE .....	83
• SADDLE UNIT .....	84
• FILTER WALL .....	85
• SADDLE UNIT AND FILTER WALL OPTIONS .....	86
• SKIMBLOC .....	88
• EVERBAG .....	89
• CLEANING TANKS .....	90

# CARTRIDGE FILTRATION RANGE

CHOOSE A CARTRIDGE FILTER:

MORE ENERGY-EFFICIENT

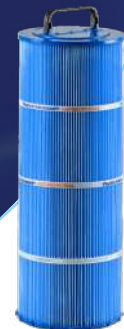
MORE ECO-FRIENDLY

MORE EFFICIENT



WELTICO CARTRIDGES:

- **ensure the filter performs effectively** thanks to a combination of patented processes, with spaced folds and a user-friendly, sealed handle for ease of handling.
- **deliver a high degree of filtration** (15 microns instead of 50 microns for a sand filter).
- **use much less water** for cleaning operations. As an example, this will require only 20 liters of water to clean a cartridge (compared to more than 300 liters of water to clean a sand filter).
- **cover all sizes and pool types.**



ANTI-BACTERIAL MODEL



## HOW CAN I CHOOSE MY CARTRIDGE FILTER BASED ON MY PUMP AND MY POOL?

vipool					weltico cartridges		Height
Renovo®	PHT	MJB MKB+	MNB+	MCB+			
14/17 10/13	20	9/15	10/15	13/15	C7	22 m <sup>3</sup> /H	761 mm
10/13	10	6/9	8/12	10/12	C6	19 m <sup>3</sup> /H	636 mm
6/10	10	6/9	5/10	8/10	C5	15 m <sup>3</sup> /H	511 mm
	10			6/8	C3	11 m <sup>3</sup> /H	386 mm
	10			4/6	C2	7 m <sup>3</sup> /H	261 mm

30 m<sup>3</sup> ▼ 50 m<sup>3</sup> ▼ 65 m<sup>3</sup> ▼ 80 m<sup>3</sup> ▼ 95 m<sup>3</sup> ▼

## INSTALLATION-FRIENDLY SOLUTIONS

WHICH ONE TO CHOOSE?

- For new builds: TWINFILTRES® and SKIMFILTRES
- For renovations and above-ground pools: WELFILTRES
- For ease of assembly and use: Filter wall, saddle unit and skimbloc

TWINFILTRES®

SKIMFILTRES

WELFILTRES

FILTER WALL

SKIMBLOC

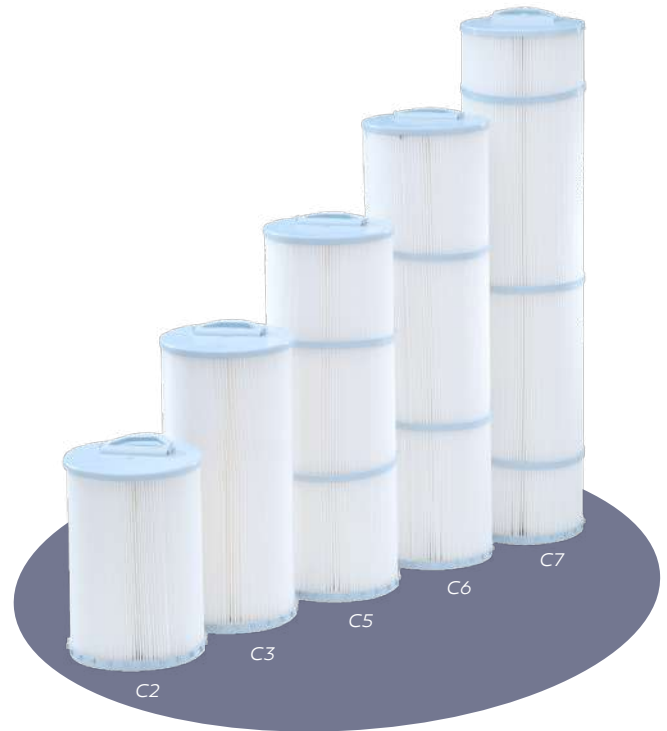
SADDLE UNIT

# CARTRIDGES



## CHARACTERISTICS

- 5 cartridge sizes for filter surface areas from 2.5m<sup>2</sup> to 7.6m<sup>2</sup>
- The polyester filtering medium ensures a high degree of filtration (15 microns)
- Weltico equips its cartridges with a patented system that prevents the folds from sticking to one another
- For optimum performance, change the filter every 1-3 seasons (depending on pool usage and cartridge maintenance)



## PRODUCT HIGHLIGHTS

- Compact, modular design
- Closed circuit without a need for drain connection
- Patented handle with sealing cap
- Simple and water-saving cleaning mode
- Significant reduction in electricity consumption: an energy efficient pump is sufficient to ensure the right flow level in the system as the filter does not require any backwashing.

## REFERENCES

CODE	C2 TO C7 FILTRATION CARTRIDGES
62612	C2 cartridge (250mm max. flow 7 m <sup>3</sup> /h)
62613	C3 cartridge (375 mm max. flow 11 m <sup>3</sup> /h)
62615	C5 cartridge (500 mm max. flow 15 m <sup>3</sup> /h)
62616	C6 cartridge (625 mm max. flow 19 m <sup>3</sup> /h)
62617	C7 cartridge (750mm max. flow 22 m <sup>3</sup> /h)

# ANTIBACTERIAL CARTRIDGES



## CHARACTERISTICS

- Synthetic, ultra-fine material which improves flow and guarantees a high degree of filtration (10 microns)
- Cartridges with an antibacterial agent infused within the fabric itself
- Designed using our free flow core technology and with "Pleatco Advanced" treatment
- For optimum performance, change the filter every 1-3 seasons (depending on pool usage and cartridge maintenance)



### PRODUCT HIGHLIGHTS

- This antibacterial cartridge collects more impurities and inhibits bacterial or mould growth that can clog it up
- Clean half as often

## REFERENCES

CODE	C3 TO C7 FILTRATION CARTRIDGES
62613P	C3 antibacterial cartridge (11 m <sup>3</sup> /h)
62615P	C5 antibacterial cartridge (15 m <sup>3</sup> /h)
62616P	C6 antibacterial cartridge (19 m <sup>3</sup> /h)
62617P	C7 antibacterial cartridge (22 m <sup>3</sup> /h)

# WELFILTRE

THE IDEAL CARTRIDGE FILTRATION SOLUTION FOR ABOVE-GROUND POOLS

## CHARACTERISTICS

- 15-micron degree of filtration
- Connects before the pump on suction
- Compact
- From models C2 to C7, the Welfiltre range is suitable for all pool sizes and types
- Compatible with the classic and anti-bacterial cartridge filter
- Ø 50 mm inlet and outlet to be glued
- Comes with a Ø 38mm glue-in ringed reducer



### PRODUCT HIGHLIGHTS

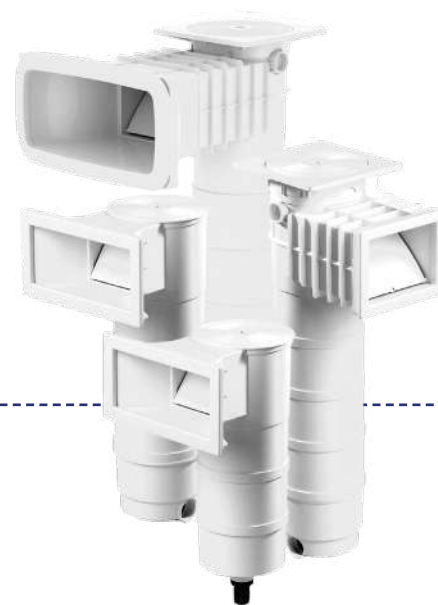
- Reliable safe operation under vacuum
- Simple and water-saving cleaning mode

## REFERENCES

CODE	WELFILTRE CARTRIDGE FILTER
97405	C2 WELFILTRE (max. flow 7 m³/h)
97406	C3 WELFILTRE (max. flow 11 m³/h)
97407	C5 WELFILTRE (max. flow 15 m³/h)
97408	C6 WELFILTRE (max. flow 19 m³/h)
97409	C7 WELFILTRE (max. flow 22 m³/h)

# SKIMFILTRE RANGE

THE PERFECT AND CUSTOMIZED  
COMBINATION OF A SKIMMER AND  
CARTRIDGE FILTER



## A COMPACT SOLUTION:

- This solution greatly simplifies installation by eliminating all pipes between the skimmer and the filter

## A MODULAR SOLUTION:

- Available in the Design, Elegance and We-line ranges (new release for 2021 on the A400 and A800) to match the other equipment used by your pool
- 6 skimfibre to choose from: from A200 to A800
- A range of customizations to choose from: skimmer mouth, direction and outlet, color cover option, extension and raiser (ref.60851 and 62093)

NEW!



## OPTION (p.68)

► Color cover



sand



gray



charcoal



# A200 · A300 SKIMFILTRES

DESIGN RANGE

## CHARACTERISTICS

- Compact and modern skimfilters
- 4 cartridge sizes to choose from
- Flow of between 7 to 19 m<sup>3</sup>/h

### A200

The most compact model without a mouth

Opening: 205x150 mm

## REFERENCES

CODE	MODEL	WATERPROOF
SF95085C2	A200 C2 (max. flow 7 m <sup>3</sup> /h)	Concrete
SF95285C2		Concrete-liner
SF95385C2		Panel-liner
SF95085C3	A200 C3 (max. flow 11 m <sup>3</sup> /h)	Concrete
SF95285C3		Concrete-liner
SF95385C3		Panel-liner
SF95085C5	A200 C5 (max. flow 15 m <sup>3</sup> /h)	Concrete
SF95285C5		Concrete-liner
SF95385C5		Panel-liner
SF95085C6	A200 C6 (max. flow 19 m <sup>3</sup> /h)	Concrete
SF95285C6		Concrete-liner
SF95385C6		Panel-liner



### A300

For above-ground pools

Opening: 300x150

## REFERENCES

CODE	MODEL	WATERPROOF
SF98486C2	A300 C2 (max. flow 7 m <sup>3</sup> /h)	Concrete-liner
SF98486C3	A300 C3 (max. flow 11 m <sup>3</sup> /h)	Concrete-liner
SF98486C5	A300 C5 (max. flow 15 m <sup>3</sup> /h)	Concrete-liner
SF98486C6	A300 C6 (max. flow 19 m <sup>3</sup> /h)	Concrete-liner
SF98286C2	A300 above-ground C2	Above-ground
SF98286C3	A300 above-ground C3	Above-ground
SF98286C5	A300 above-ground C5	Above-ground



# A400 · A600 · A800 SKIMFILTRES

## DESIGN RANGE

### CHARACTERISTICS

- Compact and modern skimfilters
- 3 cartridge sizes to choose from
- Flow of between 15 to 22 m<sup>3</sup>/h
- Available with color mouth (sand, gray, charcoal gray) and stainless steel

**A400** Equipped with two non-perforated overflows and a barrier with a noise-reduction stop.

**NEW!** AVAILABLE IN THE WE-LINE RANGE

### REFERENCES

CODE	MODEL	WATERPROOF
SF95086C5	A400 DESIGN C5 (max. flow 15 m <sup>3</sup> /h)	Concrete
SF95286C5		Concrete-liner
SF95386C5		Panel-liner
SF95086C6	A400 DESIGN C6 (max. flow 19 m <sup>3</sup> /h)	Concrete
SF95286C6		Concrete-liner
SF95386C6		Panel-liner
SF95086C7	A400 DESIGN C7 (max. flow 22 m <sup>3</sup> /h)	Concrete
SF95286C7		Concrete-liner
SF95386C7		Panel-liner



**A600** An excellent compromise between the A400 and A800

### REFERENCES

CODE	MODEL	WATERPROOF
SF91286C5	A600 C5 (max. flow 15 m <sup>3</sup> /h)	Concrete-liner
SF91386C5		Panel-liner
SF91286C6	A600 C6 (max. flow 19 m <sup>3</sup> /h)	Concrete-liner
SF91386C6		Panel-liner
SF91286C7	A600 C7 (max. flow 22 m <sup>3</sup> /h)	Concrete-liner
SF91386C7		Panel-liner

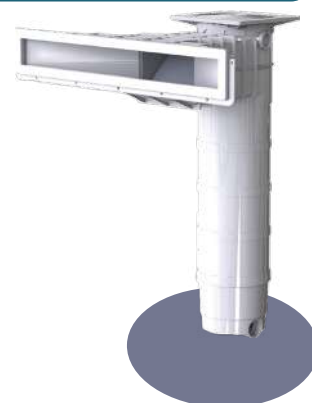


**A800** Ensures water leveling as close as possible to the coping

**NEW!** AVAILABLE IN THE WE-LINE RANGE

### REFERENCES

CODE	MODEL	WATERPROOF
SF96286C5	A800 C5 (max. flow 15 m <sup>3</sup> /h)	Concrete-liner
SF96386C5		Panel-liner
SF96286C6	A800 C6 (max. flow 19 m <sup>3</sup> /h)	Concrete-liner
SF96386C6		Panel-liner
SF96286C7	A800 C7 (max. flow 22 m <sup>3</sup> /h)	Concrete-liner
SF96386C7		Panel-liner



# A400 · A600 SKIMFILTRES

**ELEGANCE RANGE**

## CHARACTERISTICS

- 3 cartridge sizes to choose from
- Flow of between 15 to 22 m<sup>3</sup>/h
- 2 mouth sizes
- Available with color mouth faceplate

### A400

Equipped with two non-perforated overflows and a barrier with a noise-reduction stop.

## REFERENCES

CODE	MODEL	WATERPROOF
SF99086C5	A400 C5 (max. flow 15 m <sup>3</sup> /h)	Concrete
SF99286C5		Concrete-liner
SF99386C5		Panel-liner
SF99086C6	A400 C6 (max. flow 19 m <sup>3</sup> /h)	Concrete
SF99286C6		Concrete-liner
SF99386C6		Panel-liner
SF99086C7	A400 C7 (max. flow 22 m <sup>3</sup> /h)	Concrete
SF99286C7		Concrete-liner
SF99386C7		Panel-liner



### A600

## REFERENCES

CODE	MODEL	WATERPROOF
SF90286C5	A600 C5 (max. flow 15 m <sup>3</sup> /h)	Concrete-liner
SF90386C5		Panel-liner
SF90286C6	A600 C6 (max. flow 19 m <sup>3</sup> /h)	Concrete-liner
SF90386C6		Panel-liner
SF90286C7	A600 C7 (max. flow 22 m <sup>3</sup> /h)	Concrete-liner
SF90386C7		Panel-liner



# TWINFILTRE

The associated benefits of cartridge filtration and easy to install

**ELEGANCE RANGE**

## CHARACTERISTICS

This high-end, compact model includes 2 tanks. The first with a high capacity **pre-filter bag (500 microns)** to collect leaves and small debris. The second with a 15-micron filtration cartridge.

- Filtration for pools from 25 to 95m<sup>3</sup>
- 3 cartridge sizes to choose from
- Integrated clogging indicator
- On-demand product customization: other skimmer models, in the DESIGN, WE-LINE ranges (new release 2021), etc.



**PRODUCT HIGHLIGHTS**

- Reliable safe operation under vacuum
- No pipes for connection to the filter

## REFERENCES

CODE	MODEL	WATERPROOF
TF99286P5C6	A400 P5/C6 Twinfiltre (max. flow 19 m <sup>3</sup> /h)	Concrete/Concrete-liner/Shell
TF99286P6C7	A400 P6/C7 Twinfiltre (max. flow 22 m <sup>3</sup> /h)	Concrete/Concrete-liner/Shell
TF99386P5C6	A400 P5/C6 Twinfiltre (max. flow 19 m <sup>3</sup> /h)	Panel-liner
TF99386P6C7	A400 P6/C7 Twinfiltre (max. flow 22 m <sup>3</sup> /h)	Panel-liner

# SADDLE UNIT

No need to cut into the liner!

Blueswim<sup>®</sup> EO  
COMPATIBLE

A product that combines both technology and design for easy installation and optimized filtration performance.

## CHARACTERISTICS

### FRONT:

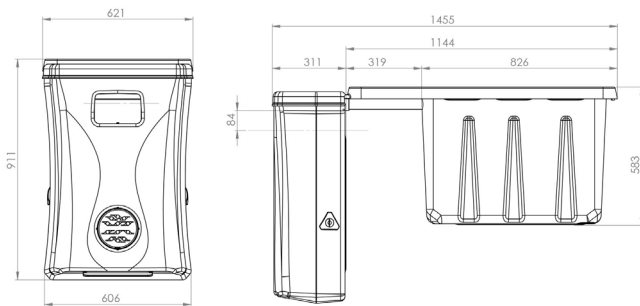
- 1 tank with dimensions 800x600x550 mm
- 2 DESIGN range return nozzles
- 2 C3 cartridges, max. filtration 22m<sup>3</sup>/h
- 1 standard cover to match perfectly with the patio or pool edge.
- 6-LED lighting white + remote control

### SERVICE UNIT:

- 1 high-temperature PHT pump
- 1 electrical box with clock and a transformer required to power the projector and pump
- 1 HP by-pass included
- 2 Weltico C3 cartridges (up to 50 m<sup>3</sup>)



## DIMENSIONS

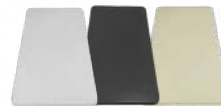


## PRODUCT HIGHLIGHTS

- Customizable
  - Cover finish options: SKIN or TIMBERTECK
  - Lighting options
  - Salt water chlorinators
  - Remote control with Blueswim EO

## OPTION (p.86)

- A new cover with a SKIN finish, a simple and strong covering (150 kg)
- Available in 3 colors



NEW!  
OPTION



## REFERENCES

CODE	COMPLETE STANDARD SADDLE UNIT
BC5001	Complete standard saddle unit
BFPO01	Customized unit



# FILTER WALL

## Filtration and lighting

Blueswim<sup>EO</sup>  
COMPATIBLE

A simple, economical, logical all-in-one unit that sits against the side and makes it easier to implement pool essentials

### CHARACTERISTICS

A complete unit, comprising a rear service unit and other customizable features.

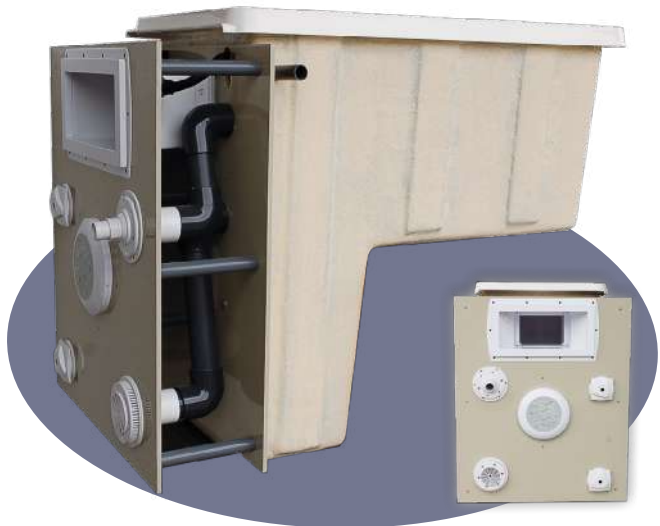
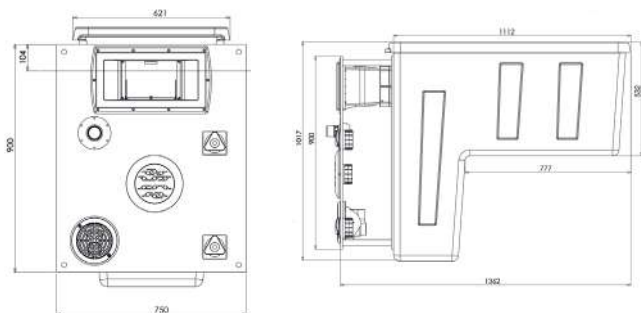
#### FRONT PANEL (900-750-250MM):

- 1 A400 Design skimmer
- 2 DESIGN adjustable return nozzles
- 1 Easyled Evo projector, 6-LED white
- 1 tank cover
- 1 lighting remote control

#### SERVICE UNIT (1120X1020X620 MM):

- 1 PHT pump with specially-designed resin-coated high temperature (65 °C) motor for underground service units
- 1 electrical box with clock and a transformer required to power the projector and pump
- 1 HP by-pass or other integrated heating system
- 1 built-in C5 cartridge (max. flow 15 m<sup>3</sup>/h)

### DIMENSIONS

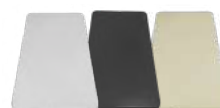


### PRODUCT HIGHLIGHTS

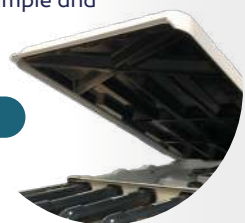
- Quick installation
- Watertight and ventilated
- Optimized integration
- Customizable
  - Cover finish options: SKIN or TIMBERTECK
  - Lighting options
  - Salt water chlorinator
  - Remote control with Blueswim EO

### OPTION (p.86)

- ▶ A new cover with a SKIN finish, a simple and strong covering:
- Available in 3 colors



NEW!  
OPTION



### REFERENCES

CODE	FILTER WALL FOR A 65M <sup>3</sup> MAX. POOL
MF96C5	Standard filter wall

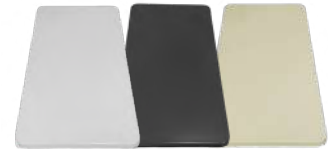
# SADDLE UNIT AND FILTER WALL OPTIONS

NEW!

## SKIN COVER



- Designed with dual-skin, this cover provides the best possible protection for the saddle unit or filter wall.
- There are 3 colors to choose from (white, charcoal gray, sand) to match the pool's surroundings.
- UV-resistant surface area



white • charcoal gray • sand

OPTIMAL PROTECTION

HIGH STRENGTH

3 COLORS AVAILABLE

## COVERING GRAY TIMBERTECK SLATS



- Covering gray TIMBERTECK slats
- A polymer protective layer ensures high resistance to scratches, stains and discoloration

NON-SLIP

ANTI DUST AND DIRT

## REFERENCES

CODE	WALL FILTER OR SADDLE UNIT OPTIONS
80548DP	Filtration unit SKIN cover ○ White
80548DPA	Filtration unit SKIN cover ● Charcoal gray
80548DPS	Filtration unit SKIN cover ● Sand
CSH	Cover
CFCT	Covering TIMBERTECK slats

## SALT WATER CHLORINATOR

Nautilyse is a complete, powerful salt water chlorinator that protects against salt overdosing.

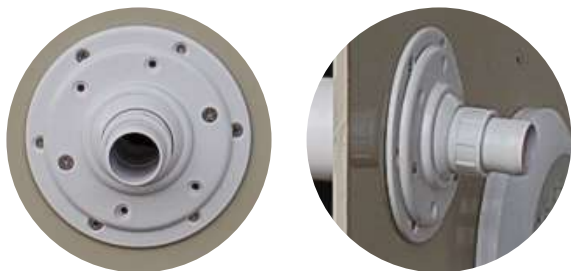


ready-to-install cell



- Box dimensions: h.270 x l.200 x p.100 mm
- IP55
- Salt level: 4.5 g/L depending on the pool size
- Distance excluding unions 232 mm
- Exit diameter 50 mm
- Output displayed via LED keypad
- Protection against possible overheating
- Easy production adjustment
- Automatic, adjustable reverse polarity
- Cover and Winter Debris Cover mode
- Boost mode

## CCS\*



- P1 pump: 2.2Kw separate suction and return
- Return with built-in direction-adjustable and air/water adjustable nozzle
- Electric box
- Pneumatic push button and on/off button remote

\*only available on filter walls

## REFERENCES

CODE	WALL FILTER OR SADDLE UNIT OPTIONS
200046	CCS for Filter Walls
200047	Salt water chlorinator for Filter Walls or Saddle Units

# SKIMBLOC

UNDERGROUND FILTRATION UNIT FOR SKIMFILTRE

## CHARACTERISTICS

- A turnkey filtration solution with a pre-filter combines with a skimfiltre.
- Matches the outdoor layout and surrounding area of the pool.

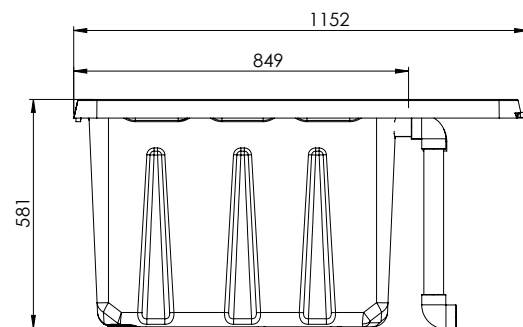


### KIT COMPONENTS



- 2 suction systems with 2 ¼ T stop valves
- 2 returns with a stop valve
- 1 self-priming pump with pre-filter
- 1 departure by-pass
- 1 electrical box with remote control power for 100 VA max.projectors
- Slot available for an electrolysis cell
- Cover (p. 86)

## DIMENSIONS



## REFERENCES

CODE	DESIGNATION
LOCALENT10	Underground filtration unit for cartridges C2/C3
LOCALENT15	Underground filtration unit for cartridges C5/C6
LOCALENT20	Underground filtration unit for cartridges C6/C7
CFTC01	Covering gray Timberteck slats
LOCALENT001	"Customized" underground filtration unit

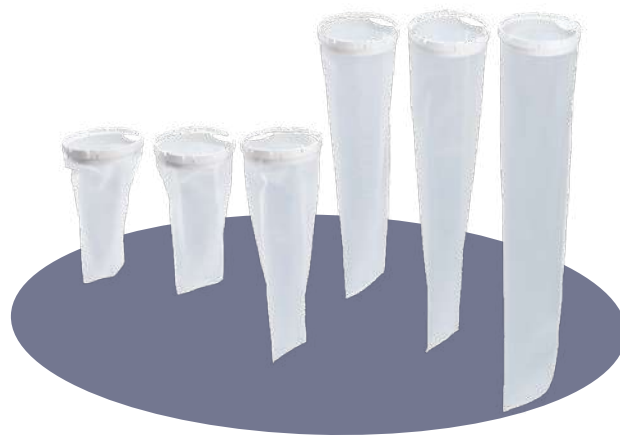
# EVERBAG

## AN ALTERNATIVE TO CARTRIDGES

*This pre-filter captures all the large impurities suctioned by the skimmer to guarantee pump efficiency*

### CHARACTERISTICS

- Everbag features a rigid, ABS ring, with a fastener and a filter bag made of rigid woven fabric
- Prevents pump clogging and provides protection
- Easy cleaning by turning it inside out and brushing lightly
- These pre-filters are interchangeable with Weltico cartridges of equivalent size (C2 to C7)



For Skimfibre filters, we recommend that you replace the cartridge and basket with a bag for cleaning at the start of the season or after a strong wind to easily collect all the large debris suspended in the water.

### REFERENCES

CODE	PRE-FILTER BAG
62842	EVERBAG JUMBOSKIM
62843	EVERBAG P3
62845	EVERBAG P5
62846	EVERBAG P6
62847	EVERBAG P7



# CLEANING TANKS

FOR EASY CARTRIDGE CLEANING

## CHARACTERISTICS

- These match the size of classic WELTICO cartridges (C2 to C7 range)
- Available in 3 sizes
- Made from ABS

### PRODUCT HIGHLIGHTS

- Clean cartridges by soaking in a solution without wasting any product. Our tanks safely store the solution in between cleaning and are easy to empty using the lower button.



## REFERENCES

CODE	CARTRIDGE CLEANING TANK
62885	Cartridge cleaning tank C2/C3/C5
62886	Cartridge cleaning tank C6
62887	Cartridge cleaning tank C7



Pool equipment

# ALARMS

- DISCRÈTE ..... 93
- IMMERSTAR ..... 94
- VISIPOOL ..... 95

# ALARM RANGE

ACIS has been making swimming pool immersion alarms in France for several years to current standards. Right from the start, all products are covered by a French certificate of compliance with respect to LNE (National Test and Metrology Laboratory) France's NF P90-307-1:2009 standard and Decree 2009-873 of 16 July 2009.

Our products have evolved over time. Successive improvements have been made and new products created to meet customer expectations.

IMMERSTAR



VISIPOOL



ACIS alarms are designed for easy installation on most swimming pool types that should be protected (installation kits with nuts and bolts are supplied).

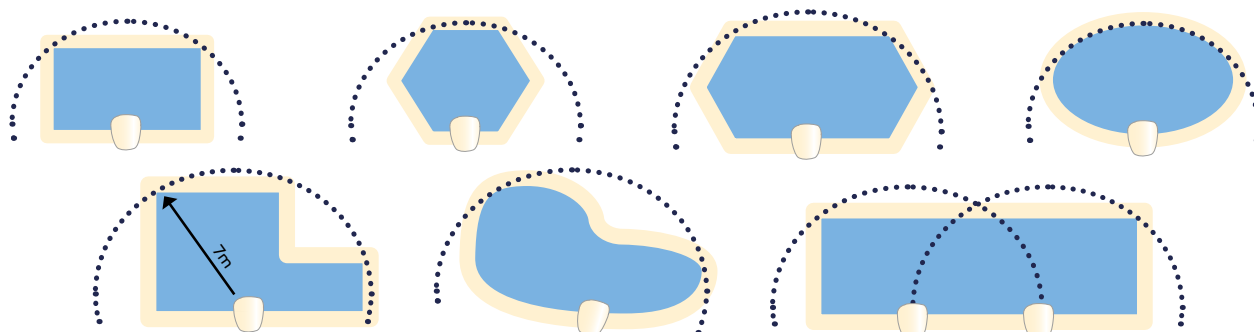
Detection in the swimming pool is optimum within a radius of 7 meters around the sensor. Beyond this range, the swimming pool should be equipped with one or more additional immersion detectors.

DISCRÈTE



RELAY ALARM

These functional diagrams indicate typical configurations. For more details, please refer to the installation manuals.



# DISCRÈTE

PRESSURE SENSOR SYSTEM

## CHARACTERISTICS

- Monitoring: pressure sensor
- Automatic return to monitoring mode after swimming
- Sound and light signals indicate monitoring mode
- 100 dB integrated siren
- Powered by 4 LR20 batteries (supplied)

## PRODUCT HIGHLIGHTS

- A discrete unit positioned under the coping that fits on new or existing pools
- Compatible with reel shutters
- Operated by remote control and/or magnet



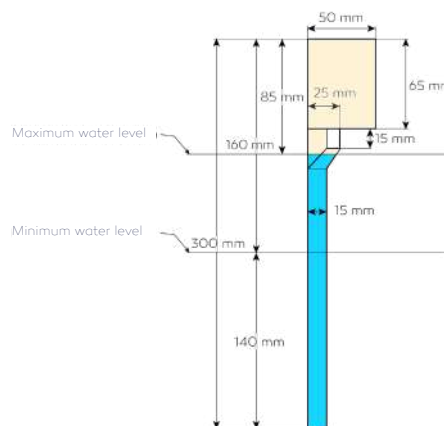
remote control



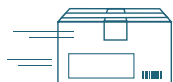
magnet



## DIMENSIONS



## PACKAGING



L. 385 x H. 345 x P. 135 mm

## OPTION

### ► RELAY ALARM RPT 1.0

- Installation up to 30m from the alarm
- Built-in siren
- LED status indicators
- Control by magnet
- Mains power supply (adapter supplied)
- Compatible with Discrète alarm



CODE	DESIGNATION	WEIGHT (KG)
100930	Report RPT 1,0	0.5

## COMPLIANCE

Product certified compliant with LNE (National Test and Metrology Laboratory) France's NF P90-307-1:2009 and Decree 2009-873 of 16 July 2009.

## REFERENCES

CODE	DESIGNATION	WATERPROOF	MAX. CURRENT (A)	WEIGHT (KG)
100920	Discrète DSM 1.0	IPx7	0.5	2.6

# IMMERSTAR

A TOP OF THE RANGE MONITORING SYSTEM

## CHARACTERISTICS

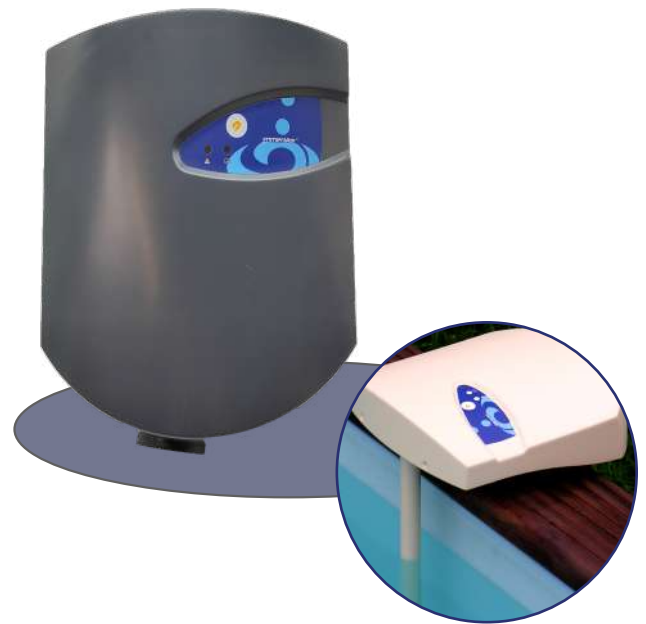
- A stylish product
- Fits on to coping
- Maximum monitoring performance thanks to the control unit
- Automatically reverts to monitoring mode
- Constant monitoring status updates

### PRODUCT HIGHLIGHTS

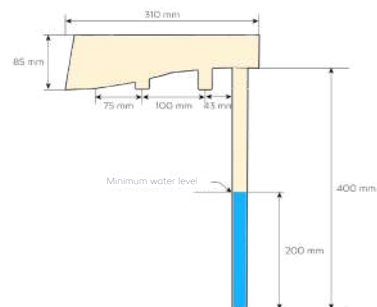
- Powered by 4 LR20 batteries (supplied)
- Robust oval tube
- Option of switching modes between: "Swimming/Monitoring" and "Monitoring/Swimming"
- Built-in siren
- Operates with a magnet and a contact key:

magnet

key



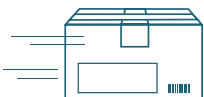
## DIMENSIONS



## COMPLIANCE

Product certified compliant with LNE (National Test and Metrology Laboratory) France's NF P90-307-1:2009 and Decree 2009-873 of 16 July 2009.

## PACKAGING



L. 400 x H. 600 x P. 270mm

## COLORS



beige



gray



charcoal

## REFERENCES

CODE	DESIGNATION
100904	Immerstar Beige
100904G	Immerstar Gray
100904A	Immerstar Charcoal Gray



# VISIOPOOL

SEAMLESS INTEGRATION AND HIGH PERFORMANCE

## CHARACTERISTICS

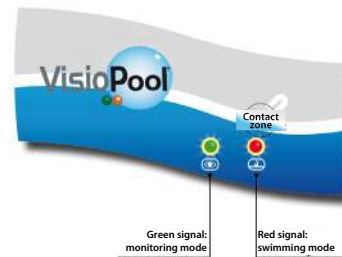
- Optimum monitoring
- Automatically reverts to monitoring mode
- Constant monitoring status updates

### PRODUCT HIGHLIGHTS

- Powered by 4 LR20 batteries (supplied)
- Option of switching modes\* between: "Swimming/Monitoring" and "Monitoring/Swimming"
- 100 dB integrated siren
- Signal relays the monitoring status
- Operates with a magnet and a contact key:



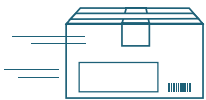
\*Control panel



## COMPLIANCE

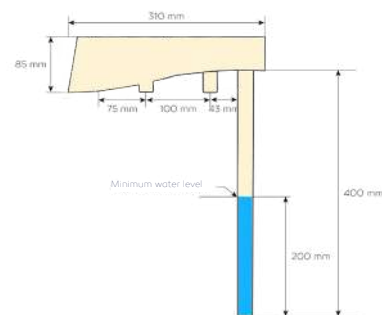
Product certified compliant with LNE (National Test and Metrology Laboratory) France's NF P90-307-1:2009 and Decree 2009-873 of 16 July 2009.

## PACKAGING



L.480 x H. 340 x P.135 mm

## DIMENSIONS



## REFERENCES

CODE	DESIGNATION	WATERPROOF	WEIGHT (KG)
100905	Visiopool	IPx5	3





# STANDARD PUMPS

- ADVANTAGES OF VIPOOL PUMPS ..... 97
- MCB+ PUMP ..... 100
- MNB+ PUMP ..... 101
- MKB+ PUMP ..... 102
- MJB PUMP ..... 103
- MPB PUMP ..... 104
- NORYSTAR PUMP ..... 105



- Customizable pump
- Four-color packaging
- Resin-coated motor: 5-year warranty
- Compatible with Blueswim EO



# ADVANTAGES OF VIPOOL PUMPS

1. **Expertise** driven by our consultation team.
2. **100 % of our components are checked** before being used in production (quality of the raw materials, dimensions, appearance, etc.).
3. After production, **all our pumps are tested in the open air** (guarantees the seal) and **immersed in water for at least 10 minutes** to check their hydraulic and electrical performance.
4. As we attach particular importance to the quality of our products, they are all **CE certified**.

STANDARD PUMPS

**Bolt and screw 304 stainless steel**

**Anti-explosion P2 aluminum capacitor**

**Fully covered by the impeller tail portion = Resistant to salt treatment and sea water**

**FPF = flexible pocket filter® (Delivered as standard)**

**Supplied with affixable unions + inbuilt seal**

**Bearing 2RSC3 high-temperature, 10,000 hours**

**Shaft in 316L stainless steel, with balanced Rotor**

**Mechanical seal with special carbon side and resistant silicon carbide side (instead of ceramic) + viton seals**

**STAINLESS STEEL drain plug**

**RESIN-COATED MOTOR, 5-YEAR WARRANTY\***

- On all our pumps (except the Norystar)
- Both moisture and waterproof
- Accidentally fall into the pool
- Improved motor performance
- Prevents vibration and wear of the winding
- Less noise

\*Except bearings and capacitor

**Single-phase pump:**

- Comes with 2.5ml cable
- Thermal protection included



# FPF = FLEXIBLE POCKET FILTER<sup>®</sup>

## COMPONENTS



## SYSTEM BENEFITS

At the center of the pump, the flexible pocket filter let's nothing pass!

Designed with a very fine mesh, for double safety (basket and pocket filter<sup>®</sup>), the system captures even the smallest impurities (e.g. pine needles, gravel, hair, etc.) that could otherwise cause damages to the pump to malfunction.

- **Patented System from ACIS:** All of our pumps with pre-filters are fitted with an exclusive **Flexible Pocket Filter<sup>®</sup>** system, registered under French patent number 11 59373.
- Can be detached and cleaned
- Comes with pump as standard

## REFERENCES

CODE	CODE FOR FPF ALONE
601000S	MCB+
601002S	MNB+
601001S	MJB - MPB - MKB+
601004S	RENOVO <sup>®</sup> - RENOVO VS



# STAINLESS STEEL DRAIN PLUG

## SYSTEM BENEFITS

Pools are usually loaded with residual electrical current. This phenomenon is amplified when a salt water chlorinator is used.

- If the pool is not earthed, the difference in potential between the pool and surrounding earth may cause damage to the pump (faster wear of bearings and pump mechanical seal due to the passing current).
- Thanks to a stainless steel plug, certified by Dekra, this current is evacuated towards the motor casing without touching the rotor shaft or bearings.























Plant room

## MAX T° PUMPS & COMPATIBLE

• MAX T° PUMPS & COMPATIBLE.....	107
• PHT PUMP.....	109
• RENOVO® PUMP.....	110
• MNB+ MAX T° PUMP.....	112
• MKB+ MAX T° PUMP.....	112

# MAX T° HIGH TEMPERATURE RANGE & COMPATIBLE

Based on our success with the specific pumps for PHT underground blocks and our RENOVO® compatible pump, in line with current climatic constraints, Vipool is expanding its range with 2 best sellers integrating this technology.



MNB+ MAX T Hydroswim HP compatible



MKB + MAX T Hydroswim HG compatible

## PRODUCTS DEVELOPED FROM ACIS VIPOOL EXPERTISE:

- Compatible pumps
- Specific motor with optimal heat dissipation + resin, certified for ambient temperatures up to 65°C
- Designed for poorly ventilated areas or those exposed to the sun
- Proven materials: bolts, stainless steel drain plug, PFS, resin motor, bearings guaranteed



RENOVO® compatible with 44 models



PHT Desjoyaux® compatible

\*Important: The DESJOYAUX® brand belongs to third party. It is only used to inform trade customers about the PHT pump's compatibility with this brand and its Desjoyaux® Block product. The use of the brand is not intended to suggest that the products described would be identical to the products and facilities marketed under the brand mentioned, or that there is a link between ACIS, the manufacturer of the PHT pump, and the owner of this brand. As a pumps manufacturer, ACIS guarantees that a replacement in accordance with the supplied mounting rules, does not affect previous performance.







# RENOVO<sup>®</sup> PUMP

## THE COMPATIBLE PUMP

Replacement pump for most systems in the market (PENTAIR<sup>®</sup>, HAYWARD<sup>®</sup>, ESPA<sup>®</sup>, ASTRAL<sup>®</sup>, SPECK<sup>®</sup>, KRIPSOL<sup>®</sup>, DAB<sup>®</sup>, STA-RITE<sup>®</sup>, KSB<sup>®</sup> and MARLOW<sup>®</sup>).

## CHARACTERISTICS



- Special High Ambient Temperature resistant motor = 65°C
- Silent

### PRODUCT HIGHLIGHTS

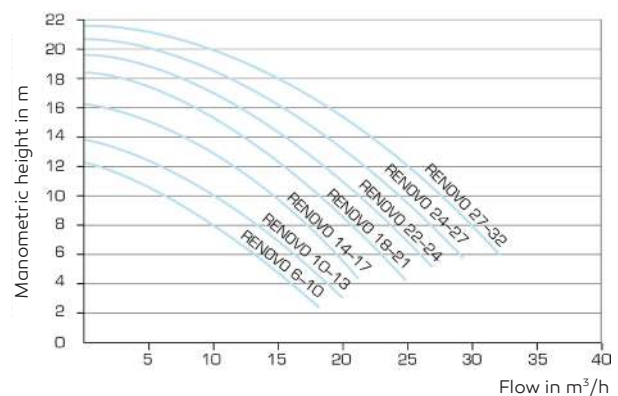
- Fits most installed systems
- Good hydraulic output, energy-efficient, uses the existing cable

## REPLACEMENTS

BRANDS	QUANTITY	MODELS
PENTAIR <sup>®</sup>	5	ULTRAFLOW, ULTRAFLOW+, SUPERFLO, WHISPERFLO, CHALLENGER
STA-RITE <sup>®</sup>	6	5P1R, 5P2R, SSP2R, 5P6R, SSP6R, ULTRA-GLAS
HAYWARD <sup>®</sup>	6	1"½ SUPERPUMP, 2" SUPERPUMP, SUPERPOOL II, MAXFLO, SUPERPOOL, TRISTAR
ASTRAL <sup>®</sup>	6	DISCOVERY, EUROPA, NIAGARA, VICTORIA+, SENA, GLASS+
ESPA <sup>®</sup>	7	SILVER, TIFON, SILEN, SILEN2, BLAUMAR S1, BLAUMAR S2, IRIS
SPECK <sup>®</sup>	6	BADU TOP, BADU 90/13 - 90/15 - 90/20, EUROSTAR II, BELSTAR
DAB <sup>®</sup>	2	EUROPRO, EUROSWIM
KRIPSOL <sup>®</sup>	3	EP, KS, ONDINA
KSB <sup>®</sup>	1	FILTRA N
MARLOW <sup>®</sup>	1	ITT

These pumps can be replaced with RENOVO<sup>®</sup> by cutting and bonding (in line) to existing pipes.

## PERFORMANCE



Important: The brands and names of cited products that bear the trademark symbol ® belong to third parties. They are only used to inform trade customers on the compatibility of the RENOVO<sup>®</sup> pump with these brands and products. The use of the trademarks and references of products listed is not intended to suggest that the products described would be identical to the products and facilities marketed under the brands mentioned, or that there is a link between ACIS, the manufacturer of the pump RENOVO<sup>®</sup>, and the owners of these trademarks. As a manufacturer of the compatible RENOVO<sup>®</sup> pump, ACIS guarantees that a replacement in accordance with the supplied mounting rules, does not affect previous performance.

## SIMPLE OPERATION

- You keep the existing unions on your current system, as well as the existing cable.
- After removing the existing pump, simply install RENOVO® using its adapter kit and connect it to the power.

### KIT COMPONENTS

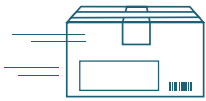
- Pump with FPF® pre-filter basket
- 2 suction-side attachment plates (one assembled on the pump)
- Base (can be removed if needed)
- Unions for adaptation for the majority of the existing models included\*
- Full installation manual

## LIST OF UNIONS SUPPLIED\*



- 10** 1 x 2" union – fitted on the pump
- 11** 1 x 1 1/2" union – fitted on the pump
- 12** 1 x 1 1/2 x 105 union
- 13** 2 x 2" x 105 union
- 14** 1 x flange – fitted on the pump
- 15** 1 x flange
- 16** 2 x cones
- 17** 2 x nuts
- 18** 1 x support
- 19** 2 x 2 3/4 x 105 unions
- 20** 1 x 2 1/4 x 100 union
- 22** 1 x 2 3/4 union
- 23** 1 x 2 1/4 union
- D3** 1 x d60x3 O-ring
- D5** 2 x d60x5.3 O-rings – fitted on the pump (x6)
- E6** 2 x Union couplings
- 707** 2 x 78x60x3 flat seals
- 708** 2 x 62x45x3 flat seals
- +** 1 x stand – fitted on the pump

## PACKAGING



- L. 615 x l. 270 x H. 420 mm (0.5 to 1 HP)
- L. 640 x l. 270 x H. 420 mm (1.5 to 2.5 HP)
- L. 675 x l. 270 x H. 420 mm (3 HP)

## REFERENCES

CODE	MODEL	RATING (HP)	MAX. CURRENT (A)	VOLTAGE HZ (V)	MAX. POWER P1 (W)	WEIGHT (KG)	HEIGHT (M)													
							3	6	8	10	11	12	14	16	17	20				
600700	6 - 10 Single-phase	0.50	2.9	230	600	18														
600701	6 - 10 Three-phase	0.50	2/1.2	230/400	600	18	14	11	9	6	4	2								
600702	10 - 13 Single-phase	0.75	3.6	230	750	19														
600703	10 - 13 Three-phase	0.75	2.6/1.5	230/400	750	18	18	15	12	10	8	4	2							
600704	14 - 17 Single-phase	1	4.8	230	1,000	19														
600705	14 - 17 Three-phase	1	3.5/2	230/400	1,000	19	21	19	17	14	13	12	8	2						
600706	18 - 21 Single-phase	1.5	5.5	230	1,250	23														
600707	18 - 21 Three-phase	1.5	3.7/2.1	230/400	1,250	20		23	21	19	18	17	14	10	5					
600708	22 - 24 Single-phase	2	6.7	230	1,500	23														
600709	22 - 24 Three-phase	2	5.2/3	230/400	1,500	20		26	26	21	20	19	16	12	10					
600710	24 - 27 Single-phase	2.5	8.8	230	1,750	24														
600711	24 - 27 Three-phase	2.5	6.6/3.8	230/400	1,750	24		28	28	24	23	22	19	16	14	1				
600712	27 - 32 Single-phase	3	9.8	230	2,000	29														
600713	27 - 32 Three-phase	3	7.3/4.2	230/400	2,000	24		32	30	27	26	25	22	20	18	12				







Plant room

## EKO PUMPS

• EKO PUMPS .....	113
• VARIPOOL .....	115
• RENOVO® VS PUMP.....	116
• MKB 2S PUMP .....	118
• MKB VS PUMP .....	119

# EKO RANGE

VARIPOOL



MKB 2S



A VARIABLE SPEED PUMP ACTS ON DIFFERENT LEVELS:

- **Electrical consumption:** optimize the filtration power to the installation's needs. Decreasing the power by just a few m<sup>3</sup>/h generally makes it possible to reduce electricity consumption to 1/3 what it was originally
- **Adapted consumption** to the type of use or to the need in real time
- **Noise reduction:** our pumps offer incomparable acoustic comfort
- **Better filtration:** water moves more slowly through the filtration system and particles are trapped more efficiently
- **Low energy consumption** means the filter can run 24/7 for more consistent water treatment and heating
- **Service life of the pump:** less heating, optimized service life of the pump and its components



RENOVO® VS



MKB VS

*Important: The brands and names of cited products that bear the trademark symbol ® belong to third parties. They are only used to inform trade customers on the compatibility of the RENOVO® pump with these brands and products. The use of the trademarks and references of products listed is not intended to suggest that the products described would be identical to the products and facilities marketed under the brands mentioned, or that there is a link between ACIS, the manufacturer of the pump RENOVO®, and the owners of these trademarks. As a manufacturer of the compatible RENOVO® pump, ACIS guarantees that a replacement in accordance with the supplied mounting rules, does not affect previous performance.*



# VARIPOOL AND VARIPOOL E

CONVERTS YOUR SINGLE-SPEED PUMP INTO A VARIABLE-SPEED MODEL

ACIS offers an independent variable speed drive that can adapt to all "traditional" pumps by transforming them into energy-efficient pumps with variable speeds. Thus, any new or existing standard single-phase or three-phase filtration pump, becomes a true variable flow pump with 3 programmable speeds.

## CHARACTERISTICS


This variable speed drive enables to modify the rotational speed of the motor in order to select the flow most adapted to the filtration requirement. For example: adopting a sustained flow rate in case of high heat or increased use of the pool, or a slow speed to ensure high quality filtration and reduce its power consumption.

- Daily programmable timer, that can be divided into 4 sectors
- Can be used to stop and start at the 3 selected speeds (1,200 to 2,900 tr/min)
- Also operates in manual mode
- Comes with a power supply plug and a female plug to connect to the pump

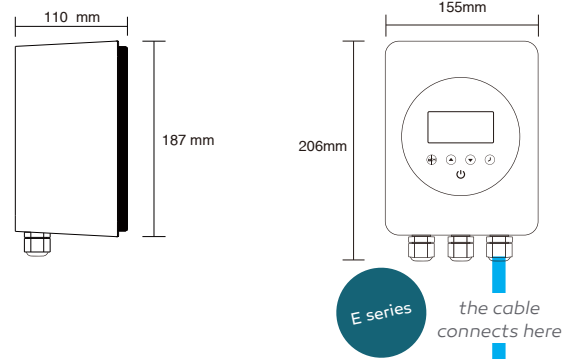


up to **60%** in energy savings

## PRODUCT HIGHLIGHTS


- 8 models to choose from
- 3 programmable speeds to adjust the flow rate according to the particular need and use = up to 60% in energy savings 
- Simple installation
- Extends the pump's lifespan
- Ergonomic, touchscreen
- Noise reduction

## DIMENSIONS



## REFERENCES

CODE	VARIPOOL VARIABLE SPEED DRIVE	MAX. CURRENT (A)	POWER P1 (W)
50963	VARIPOOL variable speed drive for Single-phase pump - Max. power 1.1 Kw - 6 Amp.	6	1.1
50964	VARIPOOL variable speed drive for Single-phase pump - Max. power 2.2 Kw - 12 Amp.	12	2.2
50965*	VARIPOOL variable speed drive for Three-phase pump - Max. power 1.1 Kw - 4.5 Amp.	4.5	1.1
50966*	VARIPOOL variable speed drive for Three-phase pump - Max. power 2.2 Kw - 8 Amp.	8	2.2

CODE	 VARIPOOL E VARIABLE SPEED DRIVE WITH CONTROL CABLE	MAX. CURRENT (A)	POWER P1 (W)
50963E	VARIPOOL E variable speed drive for Single-phase pump - Max. power 1.1 Kw - 6 Amp.	6	1.1
50964E	VARIPOOL E variable speed drive for Single-phase pump - Max. power 2.2 Kw - 12 Amp.	12	2.2
50965E*	VARIPOOL E variable speed drive for Three-phase pump - Max. power 1.1 Kw - 4.5 Amp.	4.5	1.1
50966E*	VARIPOOL E variable speed drive for Three-phase pump - Max. power 2.2 Kw - 8 Amp.	8	2.2

\*Warning: the appliance has a single-phase (230 V) power supply and a 3x230 three-phase pump output

# RENOVO® VS PUMP

## A COMPATIBLE VARIABLE SPEED PUMP

RENOVO® VS is a system that replaces the use of a traditional pump with variable speed technology. This technology is the perfect filtration solution: energy-efficient, silent, robust.

### CHARACTERISTICS

- Special High Ambient Temperature resistant motor = 65°C
- Good hydraulic output, energy-efficient
- Silent
- Digital control panel



### PRODUCT HIGHLIGHTS

- Fits most installed systems
- Good hydraulic output, energy-efficient

### REPLACEMENTS

BRANDS	QUANTITY	MODELS
PENTAIR®	5	ULTRAFLOW, ULTRAFLOW+, SUPERFLO, WHISPERFLO, CHALLENGER
STA-RITE®	6	5P1R, 5P2R, S5P2R, 5P6R, S5P6R, ULTRA-GLAS
HAYWARD®	6	1"½ SUPERPUMP, 2" SUPERPUMP, SUPERPOOL II, MAXFLO, SUPERPOOL, TRISTAR
ASTRAL®	6	DISCOVERY, EUROPA, NIAGARA, VICTORIA+, SENA, GLASS+
ESPA®	7	SILVER, TIFON, SILEN, SILEN2, BLAUMAR S1, BLAUMAR S2, IRIS
SPECK®	6	BADU TOP, BADU 90/13 - 90/15 - 90/20, EUROSTAR II, BELSTAR
DAB®	2	EUROPRO, EUROSWIM
KRIPSOL®	3	EP, KS, ONDINA
KSB®	1	FILTRA N
MARLOW®	1	ITT

These pumps can be replaced with RENOVO® by cutting and bonding (in line) to existing pipes.

### OPTIONS

- ▶ Separate control and programming unit



CODE	MODEL
BD156	Separate control and programming unit

- ▶ Control unit functions for frost protection / low water



CODE	MODEL
FLOW50	Low water box
THG	Frost protection box

## KIT COMPONENTS

1. Pump with FPF© pre-filter basket
2. 2 suction-side attachment plates (one assembled on the pump)
3. Base (can be removed if needed)
4. Unions for adaptation for the majority of the existing models included\*
5. Full installation manual

## LIST OF UNIONS SUPPLIED\*

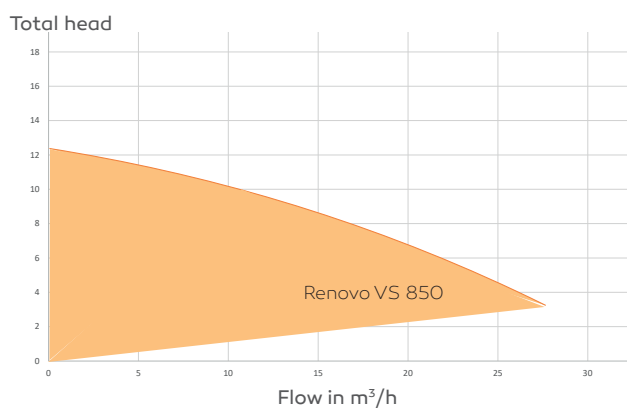


- 10** 1 x 2" union – fitted on the pump
  - 11** 1 x 1 1/2" union – fitted on the pump
  - 12** 1 x 1 1/2" x 2x105 union
  - 13** 2 x 2" x 105 union
  - 14** 1 x flange – fitted on the pump
  - 15** 1 x flange
  - 16** 2 x cones
  - 17** 2 x nuts
  - 18** 1 x support
  - 19** 2 x 2 3/4" x 4x105 unions
  - 20** 1 x 2 1/4" x 4x100 union
  - 22** 1 x 2 3/4" union
  - 23** 1 x 2 1/4" union
  - D3** 1 x d60x3 O-ring
  - D5** 2 x d60x5.3 O-rings – fitted on the pump (x6)
  - E6** 2 x Union couplings
  - 707** 2 x 78x60x3 flat seals
  - 708** 2 x 62x45x3 flat seals
- +** 1 x stand – fitted on the pump

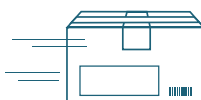
## SIMPLE OPERATION

- You keep the existing unions on your current system, as well as the existing cable.
- After removing the existing pump, simply install RENOVO® using its adapter kit and connect it to the power.

## PERFORMANCE



## PACKAGING



L.640 x 270 x 420mm

## REFERENCES

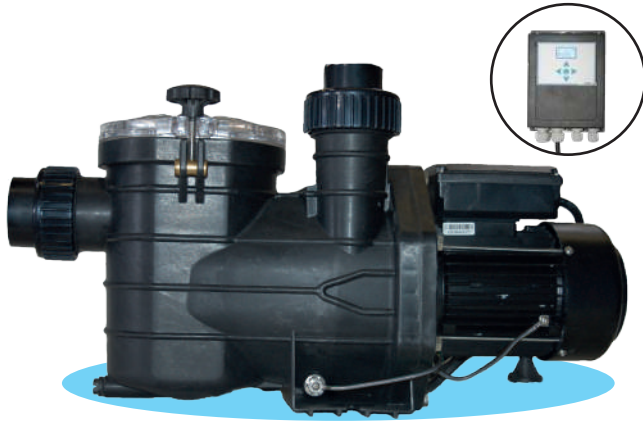
CODE	MODEL P1 MAX. (W)	MAX. CURRENT (A)	VOLTAGE (V)	MAX. POWER P1 (W)	WEIGHT (KG)
600720	RENOVO VS 850	4	230	850	17

*Important: The brands and names of cited products that bear the trademark symbol ® belong to third parties. They are only used to inform trade customers on the compatibility of the RENOVO® pump with these brands and products. The use of the trademarks and references of products listed is not intended to suggest that the products described would be identical to the products and facilities marketed under the brands mentioned, or that there is a link between ACIS, the manufacturer of the pump RENOVO®, and the owners of these trademarks. As a manufacturer of the compatible RENOVO® pump, ACIS guarantees that a replacement in accordance with the supplied mounting rules, does not affect previous performance.*

# MKB 2S PUMP

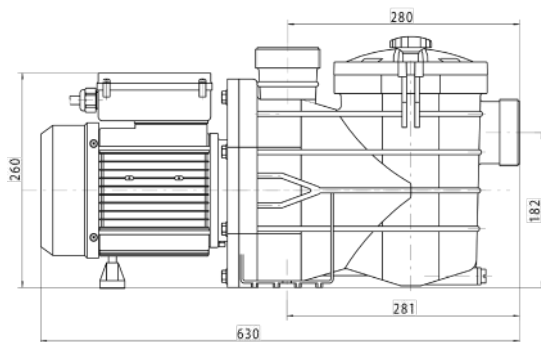
THE IDEAL COMPROMISE

## CHARACTERISTICS

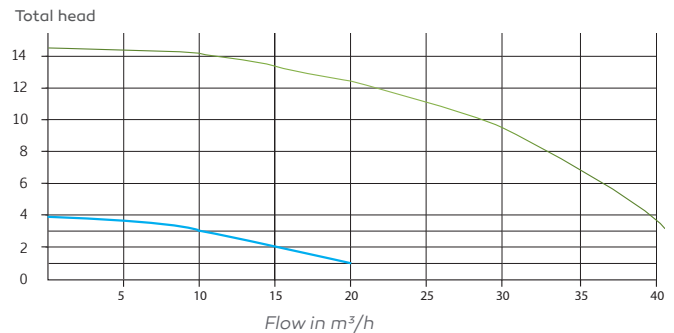


- Pump with 2 fixed speeds and a control unit included
- Consumes 350 W at low speed
- Silent
- Separate control unit included with a daily and weekly filtration programming feature
- Optimized and adaptable operation with two timer-controlled speeds:
  - Low speed with filtration at 7 to 10 m<sup>3</sup>/h: energy-saving mode for daily use. The pump filters economically and ecologically
  - High speed and fast filtration of 8 to 15 m<sup>3</sup>/h: mode recommended for cleaning the filter, during heat waves or during periods of more frequent use. Recommended operation: 1hr/day for skimming

## DIMENSIONS



## PERFORMANCE

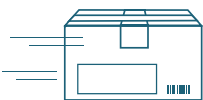


## OPTIONS

- ▶ Control unit for frost protection / low water



## PACKAGING



L. 650 x H. 340 x P. 265mm

## REFERENCES

CODE	MODEL	RPM	CURRENT (A)	VOLTAGE (V)	POWER P1 (W)	WEIGHT (KG)	TYPE OF UNION (Ø IN MM)	HEIGHT (M)										
								2.5	3	3.5	8	9	10	11	12	13		
600154	MKB 2S	1,450	2.3	230	350	17	63	14	7	1								
		2,900	7						37	33	30	24	17	11				

Flow (m<sup>3</sup>/h)

# MKB VS PUMP

ENERGY-EFFICIENT WITH THE OPTION OF 3 PROGRAMMING MODES

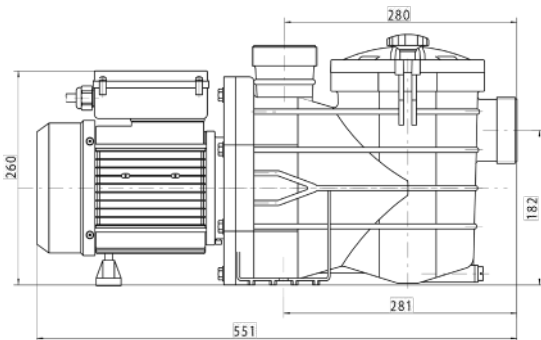
## CHARACTERISTICS



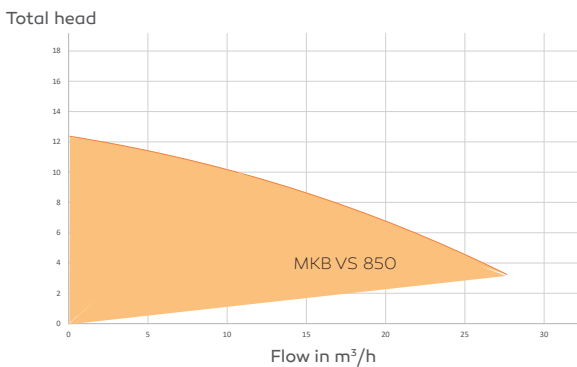
- Energy-efficient pump, with a flow rate that adapts to your filtration needs
- Simple pump control and adjustment
- Multi-security brushless motor:
  - overcurrent
  - over or under voltage
- Digital control panel



## DIMENSIONS



## PERFORMANCE



## OPTIONS

► Separate control and programming unit

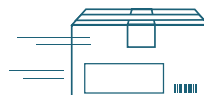


CODE	MODEL	RETAIL PRICE EXCL. VAT (€)
BD 156	Separate control and programming unit	264.00

► Control unit functions for frost protection / low water



## PACKAGING



605 x 340 x 265mm

## REFERENCES

CODE	MODEL	MAX. CURRENT (A)	VOLTAGE (V)	POWER P1 (W)	WEIGHT (KG)	TYPE OF UNION (Ø MM)	HEIGHT (M)							
							4	6	8	10	12	14	16	
600156	MKB VS 850	4	230	850	17	50	26	22	17	10	3			
							Flow (m³/h)							









Plant room

## CCS & BALNEO PUMPS

- PUMP MGD+ ..... 122
- CCS & BALNEO PUMPS..... 123
- DUAL-SPEED PUMP ..... 124
- CCS PUMP WITH PRE-FILTER..... 125
- SPA PUMP ..... 126
- DUAL-SPEED SPA PUMP ..... 127
- HEATING BLOWER ..... 128

VIPOOL offers a large range of pumps designed for Counter-Current Swimming and Balneo.

- 25 years of experience
- Great value for money
- 2-year ACIS warranty



# CCS & BALNEO PUMPS

POWERFUL AND DURABLE

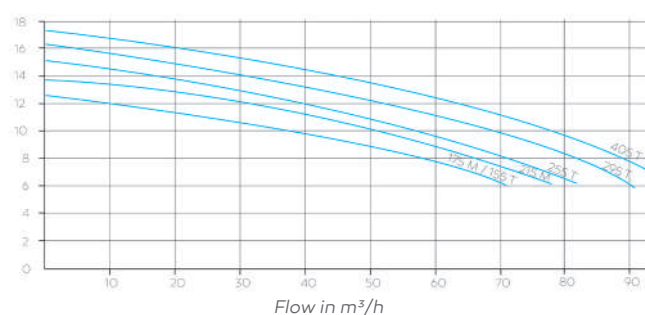
## CHARACTERISTICS

- Single-unit pump specially designed for CCS and Balneo with a high output radial impeller
- Resin-coated motor, making it less affected by humidity
- Pump made with resistant materials
- Standard suction and return unions with  $\varnothing 2 \frac{3}{4}$ " thread, with option to add a thread adapter to reduce from  $\varnothing 2 \frac{3}{4}$ " to  $\varnothing 3$ "
- Pump delivered with unions ( $\varnothing 63$ mm)

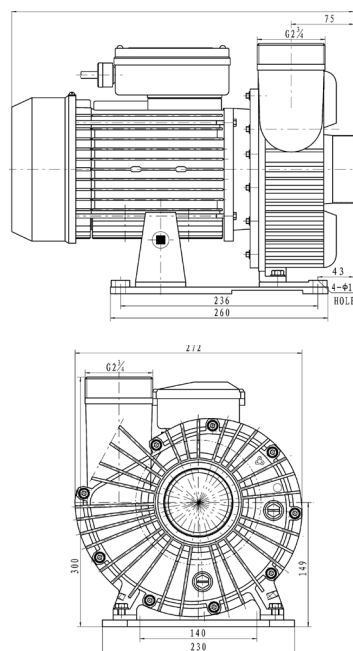


## PERFORMANCE

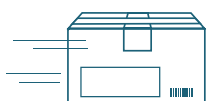
Total head



## DIMENSIONS



## PACKAGING



L.425 x 300 x 335 mm  
 L.450 x 300 x 335 mm

## REFERENCES

CODE	MODEL	RATING (HP)	MAX. CURRENT (A)	VOLTAGE (V)	MAX. POWER P1 (W)	WEIGHT (KG)	L (MM)	TYPE OF UNION (Ø MM)	HEIGHT (M)							
									4	6	8	10	12	14	18	
50990-1	155T	2	5.5 / 3.2	230/400	2,000	24	391	63	70	58	40	22				
50991-1	175M	2	8.8	230	2,000	24	391	63								
50992-1	215M	3	11.5	230	2,600	25	391	63	70	60	40	25				
50993-1	255T	3.5	8.3 / 4.8	230/400	2,750	24	409	63	78	70	55	40	10			
50994-1	295T	4	10.9 / 6.3	230/400	3,600	26	409	63	87	83	75	61	45	10		
50995-1	405T	5.5	11.4 / 6.6	230/400	3,850	31	409	63		90	80	70	53	30		
									Flow (m³/h)							

# DUAL-SPEED PUMP

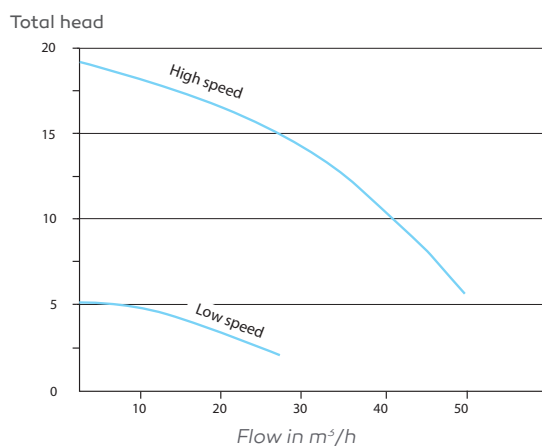
CHOOSE YOUR IDEAL SPEED!

## CHARACTERISTICS

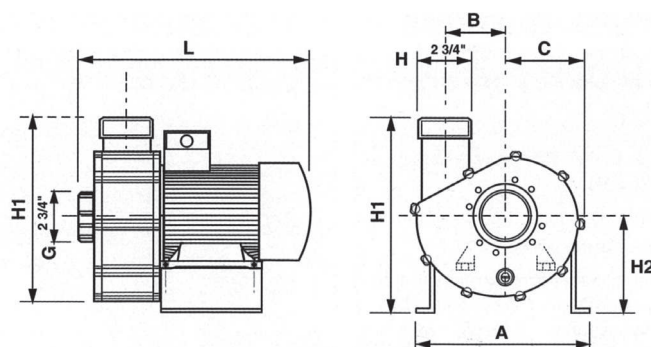
- Single-unit pump specially designed for CCS with a high output radial impeller
- Made from resistant materials, including a stainless steel base
- Suction and return with  $\varnothing 2\frac{3}{4}$  threads
- Comes with built-in pneumatic contactor
- Pump delivered as standard with  $2\frac{3}{4} \times \varnothing 63$  mm unions on suction and return



## PERFORMANCE

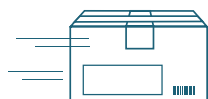


## DIMENSIONS



Model	A	B	C	H1	H2	L	G	H
	(mm)							
dual-speed	270	95	125	300	149	400	2 $\frac{3}{4}$	2 $\frac{3}{4}$

## PACKAGING



L. 460 x H. 280 x P. 370 mm

## REFERENCES

CODE	MODEL	MODE	MAX. CURRENT (A)	VOLTAGE (V)	MAX. POWER P1 (W)	WEIGHT (KG)	TYPE OF UNION (Ø MM)	HEIGHT (M)													
								2	3	4	4.5	6	8	10	12	14	16	18			
51000B	Dual-speed	Low speed	3.1	230	500	27	63	24	20	15	8										
		High speed	10		2,600					50	47	45	43	39	34	27	12				

Flow (m³/h)



# CCS PUMP WITH PRE-FILTER

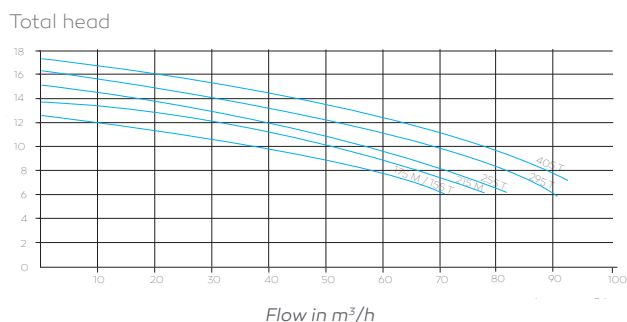
## SELF-PRIMING CCS PUMP

### CHARACTERISTICS

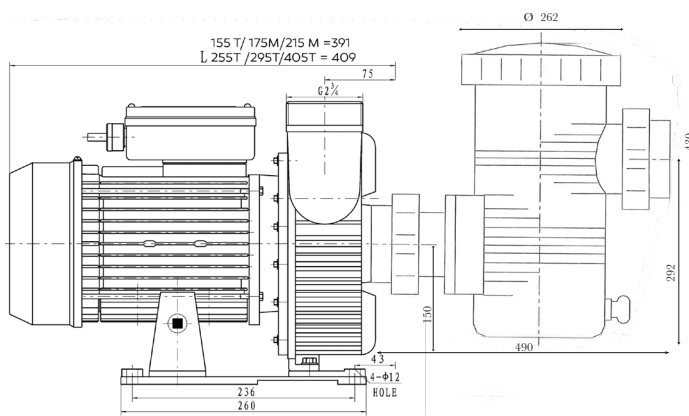
- Self-priming unit (2m)
- Clear cover to check the pre-filter
- Robust materials:
  - Pump body and impeller: Noryl GFN3.
  - NBR unions
  - Shaft: Stainless steel 316 series
  - Mechanical seal : NBR / ceramic/ carbon
- ABS pre-filter
- 4" union supplied
- Opening key



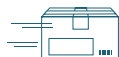
### PERFORMANCE



### DIMENSIONS



### PACKAGING



L. 412 x H. 285 x P. 470 mm (pre-filter)



L. 460 x H. 280 x P. 370 mm (pump)

### REFERENCES

CODE	MODEL	RATING (HP)	MAX. CURRENT (A)	VOLTAGE (V)	MAX. POWER P1 (W)	WEIGHT (KG)	HEIGHT (M)								
							4	6	8	10	12	14	18		
P50990	Pump with pre-filter P155T	2	5.5/3.2	230/400	2,000	29									
P50991	Pump with pre-filter P175M	2	8.8	230	2,000	29	70	58	40	22					
P50992	Pump with pre-filter P215M	3	11.5	230	2,600	30	70	60	40	25					
P50993	Pump with pre-filter P255T	3.5	8.3/4.8	230/400	2,750	29	78	70	55	40	10				
P50994	Pump with pre-filter P295T	4	10.9/6.3	230/400	3,600	31	87	83	75	61	45	10			
P50995	Pump with pre-filter P405T	5.5	11.4/6.6	230/400	3,850	36		90	80	70	53	30			
							Flow (m³/h)								



# DUAL-SPEED SPA PUMP

FILTRATION AND MASSAGE PUMP

## CHARACTERISTICS

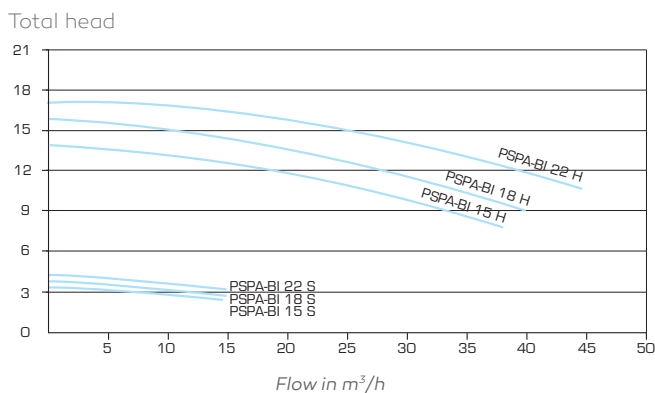
- Use: filtration and massage pump
- Adjustable unit position
- Unions: Ø 63 mm
- Thermal motor protection Class F (IP55)
- Ambient operating temperature: ≤ 50°C.
- Built-in thermal protection
- Available on request only



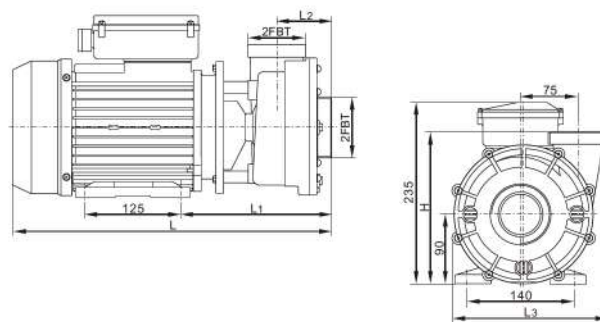
### PRODUCT HIGHLIGHTS

- Adjustable unit: 3 models to choose from

## PERFORMANCE

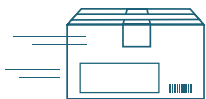


## DIMENSIONS



Model	L	L1	L2	L3	H
	(mm)				
11M	434	197	73	202	197

## PACKAGING



420 x 235 x 280 mm

## REFERENCES

CODE	DUAL-SPEED SPA PUMP	MAX. CURRENT (A)	VOLTAGE (V)	MAX. POWER P1 (W)	WEIGHT (KG)	HEIGHT (M)																
						2.5	3	3.5	4	8	9	10	11	12	12	14	15	16	17			
50980	PSPA-BI 15M	2/7	230	0.35/1.5	16	14	7	1	37	33	30	24	17	11								
50981	PSPA-BI 18M	2.5/9	230	0.4/1.85	17	15	12	5		40	36	32	27	23	17	10						
50982	PSPA-BI 22M	3/10	230	0.45/2.2	19		15	12	3			43	40	35	30	25	17	5				

Flow (m<sup>3</sup>/h)

# HEATING BLOWER

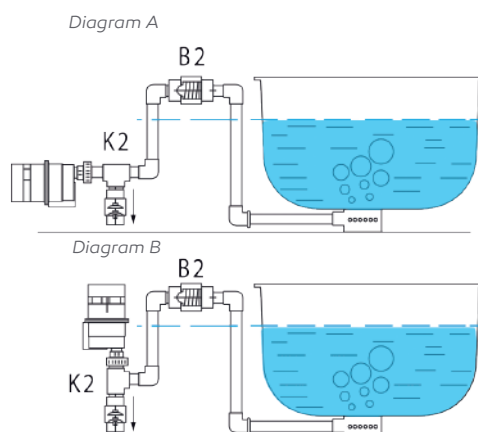
## CHARACTERISTICS

- For spas and balneotherapy pools
- 2 heated models
- Can be installed vertically or horizontally
- Supplied with a 1.5 m cable
- Ø 50 mm union
- Thermal motor protection Class F

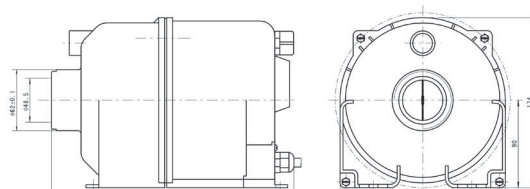
Important: when installing the blower under water level (in charge), it is essential to install non-return valve kit (see drawing enclosed A & B\*), in order to avoid any risk of back water in the appliance



## PRINCIPLES OF ASSEMBLY

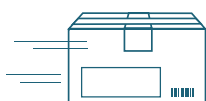


## DIMENSIONS



Model	Threaded outlet			(mm)
	L	I	H	Ø
BLC	245	168	174	50

## PACKAGING



300 x 190 x 215 mm

### VALVE KIT



K2 valve



B2 valve

CODE	MODEL	KIT COMPONENTS	MAX T °C	UNION (Ø MM)
B2	B2	Back flow stop valve	80 °C	Ø 50
K2	K2	Drain valve	80°C	Ø 50

## REFERENCES

CODE	MODEL	POWER P1 + P1R (W)	CURRENT (A)	MAX PRESSURE MPA	AIR VOLUME M <sup>3</sup> /MIN	DB
50954	BLC 400 heated blower	400 + 180	2.8	0.013	2	<74
50953	BLC 900 heated blower	900 + 180	5	0.024	2.6	<79



Plant room

## FILTRATION

• FILTRATION .....	129
• 6-CLONE .....	130
• ALL IN PALL .....	132
• FULL IN PALL .....	133
• FILTRATION KIT .....	134
• SIDE RANGE FIBERGLASS FILTER.....	135
• SIDE RANGE BLOW-MOULDED FILTER.....	136
• TOP RANGE BLOW-MOULDED FILTER .....	137



# 6-CLONE

## PRESSURE CARTRIDGE FILTERS: THE FUTURE OF FILTRATION



ACIS, a French manufacturer, has built up some 20 years of expertise in swimming pool cartridge filtration and hydraulic pumps with the Vipool brand. Developed by the ACIS R&D team, the 6-CLONE filter meets market requirements, providing:

- a high degree of filtration (15 microns)
- a product in line with the times: compact, customized, eco-friendly
- an upgrade replacement from a sand filter to cartridge filtration
- a perfect fit for a low power pump = does not require any backwashing

### CHARACTERISTICS



- Rotating inlet and outlet
- For pool sizes 25 to 95m<sup>3</sup>
- A compact system, the 6-Clone is suitable for all plant room specifications
- Uses Weltico cartridges (same dimensions) - 15 microns
- 4 cartridge sizes: C3-C5-C6-C7
- Pressure gauge to check operating pressure and clogging
- Clear tank to visually inspect any cartridge clogging
- Reduced water consumption compared to using a traditional filter: no need for any backwashing

### KIT CONTENTS



filter



pressure gauge on cover



cartridges C3 to C7

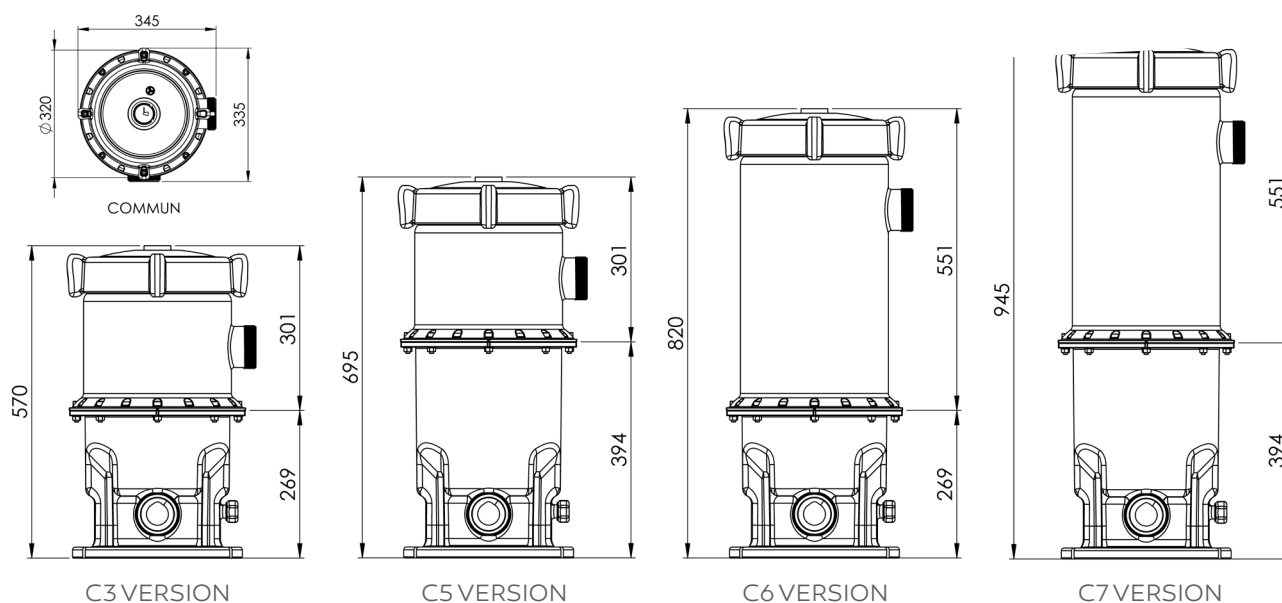


unions



2 handles to unscrew the cover

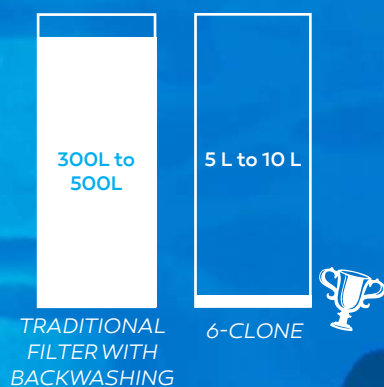
## DIMENSIONS



## PRODUCT HIGHLIGHTS

- Fine filtration
- Makes handling easy:
  - No 6-way valve
  - No sand
  - Not connected to the sewer system

### WATER CONSUMPTION



## OPTIONS

► Option to connect the 6-CLONE to a battery supply (2, 3, 4, 5...)



► Anti-bacterial cartridges



## REFERENCES

CODE	DESIGNATION	RETAIL PRICE € EXCL. VAT FOR A SET OF 6
100794	6-Clone cartridge filter - C3 - 11 m <sup>3</sup> /h	415.00
100795	6-Clone cartridge filter - C5 - 15 m <sup>3</sup> /h	470.00
100796	6-Clone cartridge filter - C6 - 19 m <sup>3</sup> /h	570.00
100797	6-Clone cartridge filter - C7 - 22m <sup>3</sup> /h	595.00

# ALL IN PALL

READY-TO-USE FILTRATION SYSTEM WITH SEPARATE FILTER

## CHARACTERISTICS



- Patented product (no. 175-s902)
- Everything you need to control within reach
- Range from 10 to 20 m<sup>3</sup> maximum
- Assembled with 1/4 T stop valve and unions that can be disassembled
- HP by-pass as standard

### PRODUCT HIGHLIGHTS

- Light weight, passes easily through doorways
- Decide where to position the filter (separate from the system)
- Easy installation and connection

## DIMENSIONS

FRAME: L 1,000 x I 450 x H 1,250 mm

## KIT COMPONENTS

- Color: dark brown - Material: 12 mm plywood with Sveza birch outer for greater sturdiness
- 1 Vipool filtration pump, MKB+ (3 models: 10, 15 and 20 m<sup>3</sup>)
- 1 filtration electrical box with clock + 100 W transformer for lighting
- 1 x 6-way valve for flow changes
- 1 x 3-valve HP by-pass
- 3 x independent suctions with individual ¼ T stop valves
- 1 x drain with a ¼ T stop valve
- 2 x independent return outlets with individual ¼ T stop valves
- 1 x inlet and 1 x outlet for filter connection
- Blow-moulded side filter (3 models: 10, 15 and 20 m<sup>3</sup>)



salt water chlorinator



pH regul

## OPTIONS

► Salt water chlorinator (p.87) and pH regul

CODE	DESIGNATION
200047	Salt water chlorinator for filtration kit
200048	pH regul for filtration kit

## REFERENCES

CODE	ABOVE-GROUND FILTRATION SUPPORT KIT	FILTER Ø MM
TP9	10 m <sup>3</sup> filtration - MKB+ 6/9 pump	Ø 520
TP15	15 m <sup>3</sup> filtration - MKB+ 9/15 pump	Ø 620
TP18	20 m <sup>3</sup> filtration - MKB+ 14/18 pump	Ø 720

# FULL IN PALL

AN UPGRADE TO THE ALL IN PALL WITH A PRESSURE CARTRIDGE FILTER INCLUDED

## CHARACTERISTICS



- Range with 3 products to choose from - 10 to 20 m<sup>3</sup> max.
- Assembled and air-tested, assembly with 1/4 T stop valve and unions that can be disassembled
- HP by-pass as standard
- Simple set-up and upkeep

## PRODUCT HIGHLIGHTS

- An ultra compact product
- Everything you need to control within reach
- Light weight, passes easily through doorways
- Significant reduction in electricity consumption: an energy efficient pump is sufficient to ensure the right flow level in the system as the filter does not require any backwashing.

## DIMENSIONS

FRAME: L 1200 x I 500 x H 1250 mm

## KIT COMPONENTS

- Color: dark brown - Material: 12 mm plywood with Sveza birch outer for greater sturdiness
- 1 Vipool MCB filtration pump
- 1 filtration electrical box with clock + 100 W transformer for lighting

- 1 x 3-valve HP by-pass
- 3 x independent suction with individual 1/4 T stop valves
- 2 x independent return outlets with individual 1/4 T stop valves
- 1 x inlet and 1 x outlet for filter connection
- 6-Clone pressure filter (see p.130)
- 1 x 6-way valve



salt water chlorinator



pH regul

## OPTIONS

- ▶ Salt water chlorinator (p.87) and pH regul

## REFERENCES

CODE	FULL IN PALL - ABOVE-GROUND
TP9C5	Complete filtration solution 15 m <sup>3</sup> - MCB 6-8 pump + 6-Clone C5 cartridge filter
TP15C6	Complete filtration solution 19 m <sup>3</sup> - MCB 8-10 pump + 6-Clone C6 cartridge filter
TP18C7	Complete filtration solution 22 m <sup>3</sup> - MCB 10-12 pump + 6-Clone C7 cartridge filter

# FILTRATION KIT

A COMPACT AND COMPLETE SOLUTION

## CHARACTERISTICS

- Platform with pump and filter
- Pump/filter connection supplied and assembled (Ø50)
- 6-way top valve
- Pressure gauge (bar)
- Turbidity indicator
- Stainless steel screws
- High density polyethylene (HDPE) blow moulded filters
- VIPOOL MCB+ pump with 2.5m cable without plug
- Service pressure: 2 bars
- Test pressure: 3 bars

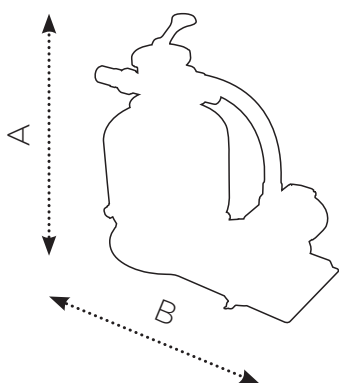


### PRODUCT HIGHLIGHTS

- Unions supplied with standard kit 50mm to affix + 38mm ringed

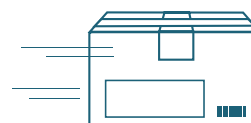


## DIMENSIONS



A	B
555	680
760	759
760	856
760	962

## PACKAGING



- L. 800 x H. 500 x P. 590 mm (Filter 4 m<sup>3</sup>/h)
- L. 800 x H. 550 x P. 590 mm (Filter 6 m<sup>3</sup>/h)
- L. 810 x H. 570 x P. 590 mm (Filter 10 m<sup>3</sup>/h)
- L. 890 x H. 650 x P. 725 mm (Filter 15 m<sup>3</sup>/h)

## REFERENCES

CODE	MODEL	RATING (HP)	MODEL	FILTER Ø (MM)	MAX. FLOW (M <sup>3</sup> /H)	SAND WEIGHT* (KG)	WEIGHT (KG)
100703	4 - 6 Single-phase	0.25	4 m <sup>3</sup> /h	350	4.32	20	20
100710	6 - 8 Single-phase	0.33	6 m <sup>3</sup> /h	400	6.12	35	23
100711	8 - 10 Single-phase	0.50	10 m <sup>3</sup> /h	527	10.80	85	27.8
100712	13 - 15 Single-phase	1	15 m <sup>3</sup> /h	627	15.30	145	33.5

\*Sand granularity: 0.5 - 0.8 mm.



# SIDE RANGE FIBERGLASS FILTER

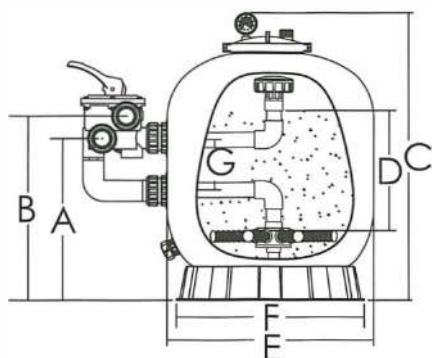
HIGHLY RESISTANT

## CHARACTERISTICS

- Highly resistant filter, in fiberglass
- Diffuser over the top of the filter
- 1"½ or 2" 6-way valve (depending on filter Ø)
- Pressure gauge (bar)
- UV-resistant
- Clear cover for 11 and 15 m<sup>3</sup> filters
- Max service pressure: 2.5 bars
- Test pressure: 4 bars
- Max T °C: 43°C
- Max filtration speed: 50m<sup>3</sup>/h/m<sup>2</sup>
- 20-30 m<sup>3</sup> filter
- Supplied with unions



## DIMENSIONS



Filter	A	B	C	D	E	F	G
	(ømm)						
11 m <sup>3</sup>	390	450	770	235	535	500	125
15 m <sup>3</sup>	430	490	850	300	635	500	125
20 m <sup>3</sup>	520	606	890	390	723	500	220
30 m <sup>3</sup>	610	696	1180	480	920	780	220

## PACKAGING



- L. 530 x H. 530 x P. 540 mm + L. 240 x H. 240 x P. 260 mm
- L. 660 x H. 660 x P. 800 mm + L. 240 x H. 240 x P. 260 mm
- L. 660 x H. 660 x P. 800 mm + L. 240 x H. 240 x P. 260 mm
- L. 940 x H. 940 x P. 109 mm + L. 260 x H. 260 x P. 375 mm

## REFERENCES

CODE	MODEL	FILTRATION AREA (M <sup>2</sup> )	VALVES	UNIONS (MM)	SAND WEIGHT* (KG)	WEIGHT (KG)
100749	11 m <sup>3</sup> filter	0.22	1"½	50	85	16.5 / 3
100750	15 m <sup>3</sup> filter	0.32	1"½	50	145	24 / 3
100751	20 m <sup>3</sup> filter	0.41	2"	63	215	36 / 4.8
100752	30 m <sup>3</sup> filter	0.66	2"	63	470	57 / 4.8

\*Sand granularity: 0.5 - 0.8 mm.

# SIDE RANGE BLOW-MOULDED FILTER

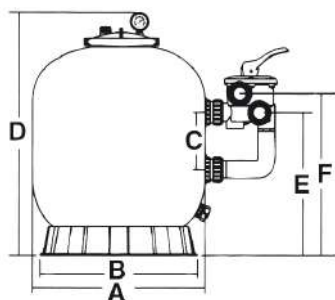
COMPACT AND LIGHTWEIGHT

## CHARACTERISTICS

- Clear cover to easily control the sand filter
- Diffuser over the top of the filter
- 6-way SIDE valve
- Pressure gauge (bar)
- Max service pressure: 2 bars
- Test pressure: 3 bars
- Max T °C: 40°C
- Max filtration speed: 50m<sup>3</sup>/h/m<sup>2</sup>
- Comes in 2 packages with unions



## DIMENSIONS



Models	A	B	C	D	E	F
			(ø mm)			
8 m <sup>3</sup> filter	455	390	125	730	360	420
10 m <sup>3</sup> filter	535	500	125	770	390	450
15 m <sup>3</sup> filter	635	500	125	850	430	490
20 m <sup>3</sup> filter	710	500	125	960	450	510

## PACKAGING



L. 460 x H. 460 x P. 610 mm + L. 240 x H. 240 x P. 260 mm  
 L. 530 x H. 530 x P. 640 mm + L. 240 x H. 240 x P. 260 mm  
 L. 660 x H. 660 x P. 800 mm + L. 240 x H. 240 x P. 260 mm  
 L. 730 x H. 730 x P. 830 mm + L. 240 x H. 240 x P. 260 mm

## REFERENCES

CODE	MODEL	FILTRATION AREA	VALVES	UNIONS	SAND WEIGHT*	WEIGHT
	SIDE RANGE BLOW-MOULDED FILTER	(M <sup>2</sup> )		(MM)	(KG)	(KG)
100763	8 m <sup>3</sup> filter	0.16	1"½	50	45	13/3
100760	10 m <sup>3</sup> filter	0.22	1"½	50	85	19/3
100761	15 m <sup>3</sup> filter	0.31	1"½	50	145	24.5/3
100762	20 m <sup>3</sup> filter	0.39	1"½	50	210	28.5/3

# TOP RANGE BLOW-MOULDED FILTER

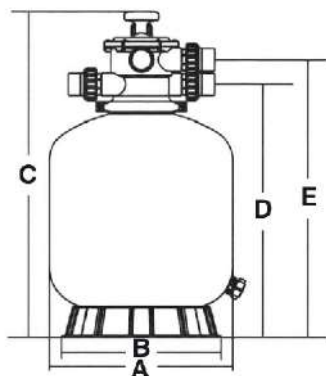
COMPACT AND LIGHTWEIGHT WITH TOP VALVE

## CHARACTERISTICS

- 360° adjustable 6-way TOP valve for easy installation
- Pressure gauge (bar)
- Filter baseplate
- Filter with drain
- Max service pressure: 2 bars
- Test pressure: 3 bars
- Maximum temperature: 40°C
- Max filtration speed: 50m<sup>3</sup>/h/m<sup>2</sup>

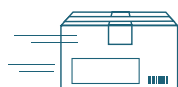


## DIMENSIONS



Models	A	B	C	D	E
			(ø mm)		
6m <sup>3</sup> filter	400	390	757	590	640
10 m <sup>3</sup> filter	527	500	845	670	730
15 m <sup>3</sup> filter	627	500	950	775	835
20m <sup>3</sup> filter	703	500	1020	845	905

## PACKAGING



L. 460 x H. 460 x P. 610 mm (6 m<sup>3</sup> filter)

L. 530 x H. 530 x P. 640 mm (10 m<sup>3</sup> filter)

L. 660 x H. 660 x P. 800 mm (15 m<sup>3</sup> filter)



L. 730 x H. 730 x P. 830 mm + L. 240 x H. 240 x P. 260 mm (20 m<sup>3</sup> filter)

## REFERENCES

CODE	MODEL TOP RANGE BLOW-MOULDED FILTER	FILTRATION AREA (M <sup>2</sup> )	VALVES	UNIONS (MM)	SAND WEIGHT* (KG)	WEIGHT (KG)
100770	6 m <sup>3</sup> filter	0.13	1"½	50	35	14.5
100771	10 m <sup>3</sup> filter	0.22	1"½	50	85	19.5
100772	15 m <sup>3</sup> filter	0.31	1"½	50	145	24.5
100773	20 m <sup>3</sup> filter	0.39	1"½	50	210	28 / 3





Nage & balnéo

## COUNTER-CURRENT SWIMMING SYSTEM

- JET VAG: A SOLUTION FOR EVERY SWIMMING POOL..... 140
- LOW SUCTION ..... 142
- BS + JN JET KIT ..... 144
- JUNIOR PRO ..... 145
- ALVÉO'NOX ..... 146
- NEW JET VAG ..... 148
- PRO LUXE..... 150
- LUM JET VAG ..... 152



# JET VAG: A SOLUTION FOR EVERY SWIMMING POOL

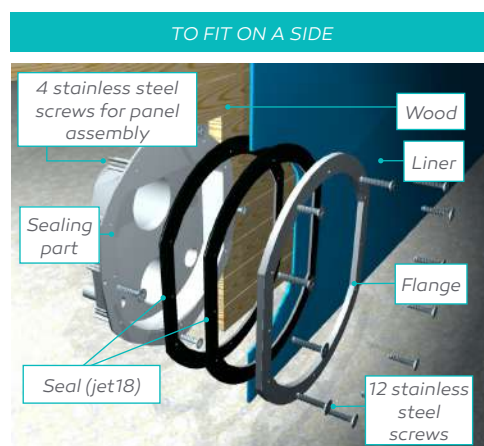
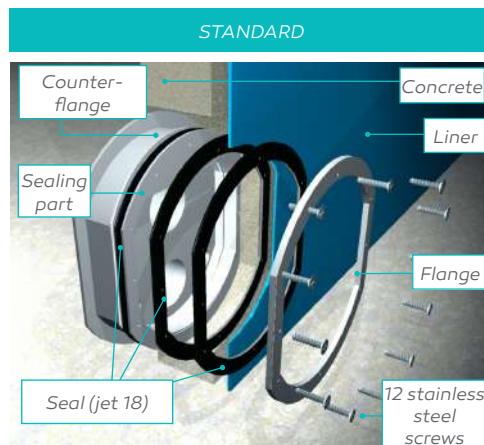
## HOW TO CHOOSE YOUR POOL FITTINGS?

The Jet Vag range can fit all new-build and renovation projects.

Jet Vag has simplicity at its core. The products are suitable for all market pools and structures thanks to 2 kinds of sealing parts:

- Standard with back counter-flange
- To fit on a side

POOL SIDE	STANDARD FITTING (Ø 63/75 mm)	SIDE-ATTACHMENT FITTING (Ø 63/75 mm)
Concrete	●	●
Shell	●	-
Wood	-	●
Galva	-	●
Shuttering panel	-	●
Aluminium structure	-	●
Stainless steel structure	-	●



## SEALING PART INSTALLATION ADVICE FOR CCS NOZZLE:

The nozzle must be approx. 25cm below the water surface.

ORDER IN 2 STEPS\*

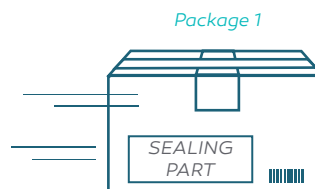
## JET VAG GOES AT YOUR PACE

**Step 1**, package 1: choose your sealing part

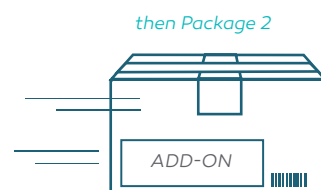
**Step 2**, package 2: choose your Jet Vag add-ons (New, Lum, Pro Luxe, Duo Mix or Alvéo'Nox).

**Benefit:** once you have ordered the sealing part, the add-on can be chosen at a later stage.

With 2 and 3 HP Single-phase or 3-5.5 HP Three-phase, white or color front panels, and New, Pro Luxe or Alvéo'nox models, you are spoiled for choice!



Package 1



then Package 2

\*excluding Junior Pro, BS and JN kits (1 single package)

# COUNTER-CURRENT SWIMMING TAILORED FOR YOU

A WIDE-RANGE OF FRONT PANELS TO  
CHOOSE FROM

PRO LUXE



NEW JET VAG



JUNIOR PRO

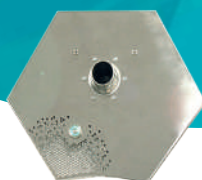


THE JET VAG CCS RANGE OFFERS A WIDE PRODUCT SELECTION TO BEST MEET ALL OF YOUR NEEDS:

- Single-unit front panel (integrated suction and return) with central nozzle and piezo or push button
- Adjustable nozzles: delivering high performance and comfort
- Patented system/registered design => nozzle that allows you to adjust water flow (3 positions) and air supply
- Controlled flow with a choice of 2 nozzles:
  - Ø 35 mm on JS, BS and Junior Pro kits
  - Ø 42 mm on New, Lum, Pro Luxe and Alvéo'nox ranges



LUM JET VAG



ALVÉO'NOX

## JET VAG ADVANTAGES

- **On/off remote control** for the pump
- **Appropriate connection box\***, included as standard in sealing part box in order to facilitate the installation
- High performance **single- or three-phase CCS or Balneo pump**, with resin-coated motor with 5 year warranty\*\*
- **Fun accessories:** Jet Vag can be combined with our massage hoses and our water jets

*\*WHAT for? Pool fittings are provided with 2 flexible, translucent hoses of 1.5 m that you must bring up above water level. These 2 hoses must be linked to the specific connection box sealed on the pool edge.*

*\*\* Except bearings and capacitor*

# LOW SUCTION

## ULTRA-FLAT SEALING PART

Enjoy improved performance of your counter-current swimming system by adding low suction to your front panel. This sealing part can also replace a traditional main drain (or suction grate set up vertically)

## CHARACTERISTICS

2 VERSIONS AVAILABLE

Low suction  
(concrete / concrete-liner structure)



Low suction  
(shell, wooden, panel structures)



- Flow 25.8 m<sup>3</sup>/h for a speed of 0.5 m/s
- ABS material
- Up to 3 outlets (Ø50mm) for the version to be sealed (concrete) and 2 outlets (Ø50mm or Ø63mm) for the version to be fitted



exploded view

## PRODUCT HIGHLIGHTS

- An alternative to traditional main drains for an extra flat design
- Suitable for Bulléo Solo or Duo kits to replace the suction grate (p.156)
- Large suction surface area

## COLOR



white



sand



gray



charcoal

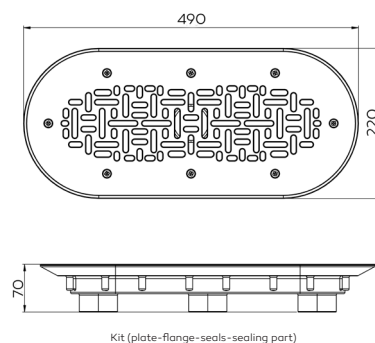
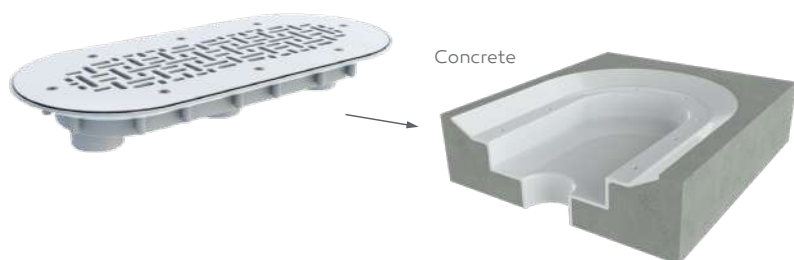


stainless steel plate

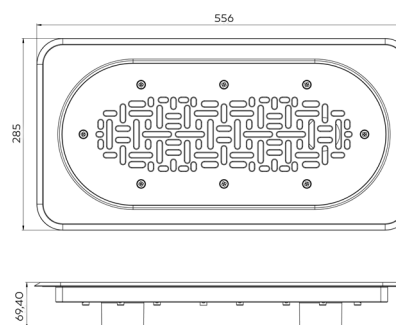
## UNIVERSAL

## DIMENSIONS

### CONCRETE / CONCRETE-LINER



### SHELL / PANEL / WOOD



(cross-sectional view - the result before liner installation)

## REFERENCES

OTHER STRUCTURES ON REQUEST

CODE	LOW SUCTION (CONCRETE / CONCRETE-LINER STRUCTURE)
50791	White
50791S	Sand
50791G	Grey
50791A	Charcoal grey
50791INOX	Stainless steel

# BS + JN JET KIT

SIMPLICITY AND EFFICIENCY

## CHARACTERISTICS

BS JET KIT



JN JET KIT



- Suction kit for concrete, liner and shell
- Return nozzle kit for concrete, liner and shell pools, Ø 35mm
- Electrical box: Single or Three-phase
- 10ml pneumatic control air pipe with push button
- MGD+ 2 and 3 HP Single or Three-phase pump with Ø63mm unions

## PRODUCT HIGHLIGHTS

- Delivered in only one package
- The JN kit fits on wood structures

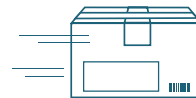
### OPTION

► Adaptable low suction



For more information, see p.142

## PACKAGING



550 x 470 x 400mm

## REFERENCES

CODE	BS / JN JET KIT	WEIGHT (KG)
800000	Full BS JET kit 2HP Single-phase	28
800001	Full BS JET kit 3HP Single-phase	
800002	Full BS JET kit 3HP Three-phase	
800003	Full JN JET kit 2HP Single-phase	
800004	Full JN JET kit 3HP Single-phase	
800005	Full JN JET kit 3HP Three-phase	



# JUNIOR PRO

## COMPLETE CCS KIT

### CHARACTERISTICS

- Patented system: central nozzle Ø 35 mm with air and water flow control
- Sealing parts Ø 63/75mm with 2 choices available\*:
  - standard sealing parts with back counter-flange for concrete and shell structures
  - sealing parts to be fitted on a side for panel structures
- A complete kit with remote control and pneumatic control



### KIT COMPONENTS



Sealing parts

\*To choose based on structure



MGD+ 3 HP pump



Appropriate electrical box + remote control



Front Panel



connection box available in different colors on request

### OPTIONS

▸ Massage hose



▸ Water jet

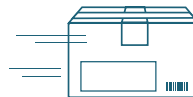


For more information, see p.164

### PRODUCT HIGHLIGHTS

- Suitable for all your needs: concrete/liner, concrete, wood, galva, shuttering panel and other pool types.
- Quick and easy installation: 1 sealing part and 1 front panel
- Complete ready-to-install kit

### PACKAGING



670 x 470 x 330mm

### REFERENCES

CODE	COMPLETE JET VAG JUNIOR PRO KIT (STANDARD WITH REAR COUNTER-FLANGE)	WEIGHT (KG)
800006P	Junior Pro 3 HP Single-phase sealing part Ø 63/75mm	28
800007P	Junior Pro 3 HP Three-phase sealing part Ø 63/75mm	

CODE	COMPLETE JET VAG JUNIOR PRO KIT (TO FIT ON A SIDE)	WEIGHT (KG)
800012P	Junior Pro 3 HP Single-phase sealing part Ø 63/75mm	28
800013P	Junior Pro 3 HP Three-phase sealing part Ø 63/75mm	

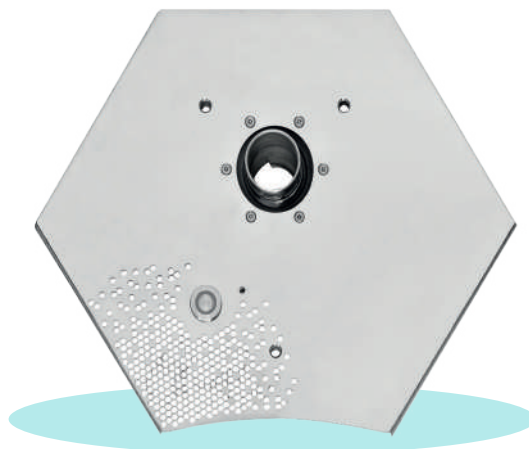
# ALVÉO'NOX

## STYLE AND PERFORMANCE

ACIS offers a product that is at the same time technical, stylish and elegant, inspired by current trends with a contemporary stainless steel shape.



## CHARACTERISTICS

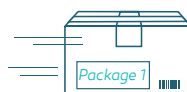


- Full stainless steel 316 L: front panel and nozzle
- Illuminated piezo control indicating operation
- Replacement front panel also available on its own (contact us)
- Standard illuminated piezo (2.5ml)
- Central nozzle Ø 42 mm with water flow control
- Suitable for all Jet Vag sealing parts

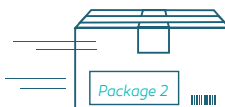
## PRODUCT HIGHLIGHTS

- Flexible installation:
  - Fits our existing sealing parts
  - Suitable for all your needs: concrete/liner, concrete, wood, galva, shuttering panel and other pool types.
  - Delivered in 2 packages (sealing part then add-on)

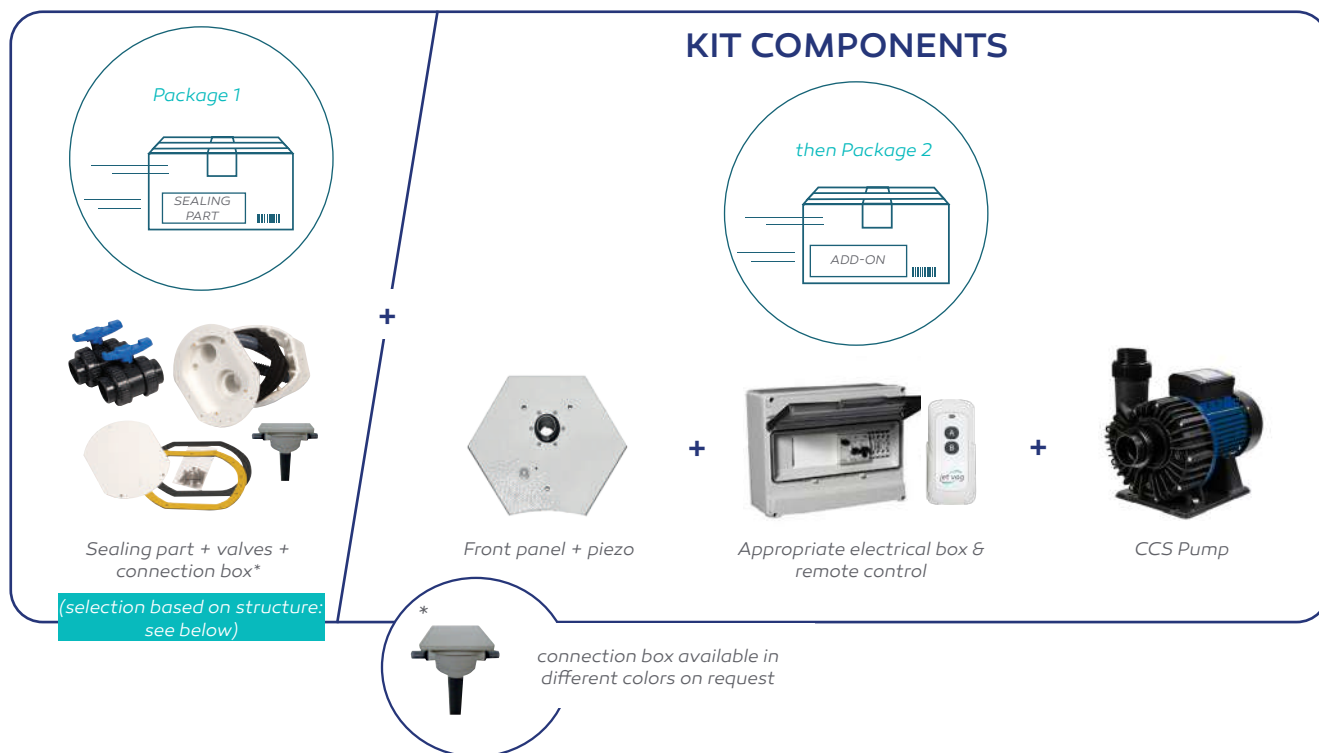
## PACKAGING



Package 1: 325 x 340 x



240mm  
Package 2: 550 x 470 x 400mm

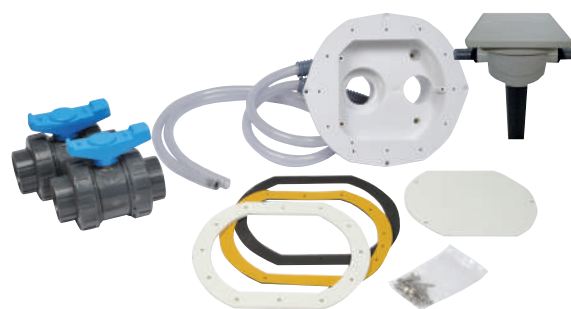


## SET-UP OPTIONS (package 1)



for concrete and shell structures

CODE	SEALING PART (STANDARD WITH REAR COUNTER-FLANGE)	WEIGHT (KG)	RETAIL PRICE € EXCL. VAT FOR A SET OF 6
507721	Standard Ø 63/75mm	5	422.00



for panel structures

CODE	SEALING PART (TO FIT ON A SIDE)	WEIGHT (KG)
800010	Ø 63/75mm	5

Pool fittings available in Ø 90 mm (code: OPT190)

## REFERENCES (package 2)

CODE	ALVEO'NOX ADD-ON + BUILT-IN PIEZO CONTROL	WEIGHT (KG)
800350	Alvéo'Nox 2 HP Single-phase	30
800351	Alvéo'Nox 3 HP Single-phase	
800352	Alvéo'Nox 4 HP Three-phase	

# NEW JET VAG

## CCS KIT

### CHARACTERISTICS

- Patented system: 42mm central nozzle with air and water flow control
- Sealing part Ø 63/75 mm with 2 choices available:
  - Standard with rear counter-flange
  - TO fit on a side
- Standard illuminated piezo (2.5ml)



### PRODUCT HIGHLIGHTS

- Flexible installation:
  - Fits our existing sealing parts
  - Suitable for all your needs: concrete/liner, concrete, wood, galva, shuttering panel and other pool types.
  - Delivered in 2 packages (sealing part then add-on).

### COLOR



white



gray



sand



charcoal

### OPTIONS

- Massage hose



- Water jet

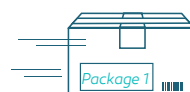


- Piezo with 15 ml cable

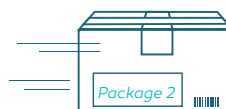


For more information, see p.164

### PACKAGING



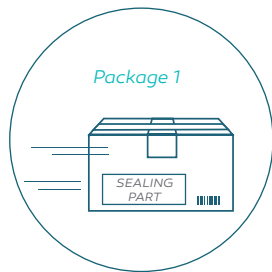
Package 1: 325 x 340 x



240mm  
Package 2: 550 x 470 x 400mm

## KIT COMPONENTS

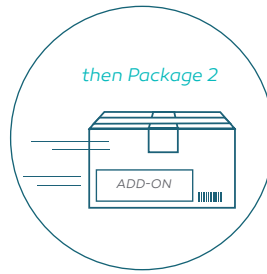
Package 1



Sealing part + valves + connection box\*

(selection based on structure: see below)

then Package 2



Front panel + standard Piezo



Appropriate electrical box & remote control



CCS Pump

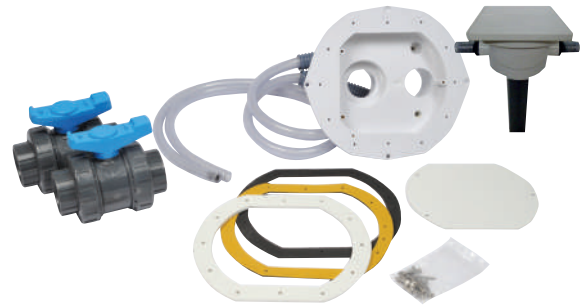


\* connection box available in different colors on request

## SET-UP OPTIONS (package 1)



for concrete and shell structures



for panel structures

CODE	SEALING PART (STANDARD WITH REAR COUNTER-FLANGE)	WEIGHT (KG)
507721	Ø 63/75mm	5

CODE	SEALING PART (TO FIT ON A SIDE)	WEIGHT (KG)
800010	Ø 63/75mm	5

Pool fittings available in Ø 90 mm (code: OPT190)

## REFERENCES (package 2)

CODE	NEW JETVAG ADD-ON	COLOR	WEIGHT (KG)
800040	2 HP Single-phase	White	30
800040S		Sand	
800040G		Grey	
800040A		Charcoal grey	
800041	3 HP Single-phase	White	
800041S		Sand	
800041G		Grey	
800041A		Charcoal grey	
800042	4 HP Three-phase	White	
800042S		Sand	
800042G		Grey	
800042A		Charcoal grey	



# PRO LUXE

HIGH PERFORMANCE AND ELEGANCE

## CHARACTERISTICS

- Single-unit front panel includes central Ø 42mm nozzle
- Air flow control on the front panel thanks to the adjusting rotary button that allows you to modulate air supply
- PRO LUXE is suitable for all pool types thanks to its range of sealing parts: concrete/liner, concrete/tiles, wood and galva
- Standard illuminated piezo (2.5ml)
- 2, 3 or 4 HP three-phase CCS pump
- Connection box



### OPTIONS

For more information, see p.164

- Massage hose



- Water jet



- Piezo with 15 ml cable



## PRODUCT HIGHLIGHTS

- Flexible installation:
  - Fits our existing sealing parts
  - Suitable for all your needs: concrete/liner, concrete, wood, galva, shuttering panel and other pool types.
  - Delivered in 2 packages (sealing part then add-on).

## COLOR



white



gray

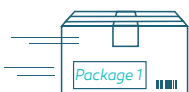


sand

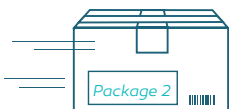


charcoal

## PACKAGING

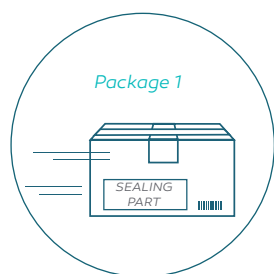


Package 1: 325 x 340 x



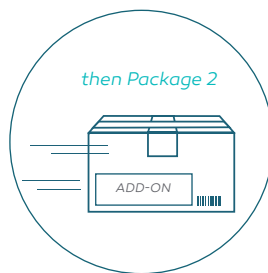
240mm  
Package 2: 550 x 470 x 400mm

## KIT COMPONENTS



Sealing part + valves + connection box\*

(selection based on structure: see below)



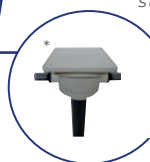
Front panel + standard Piezo



Appropriate electrical box & remote control



CCS Pump

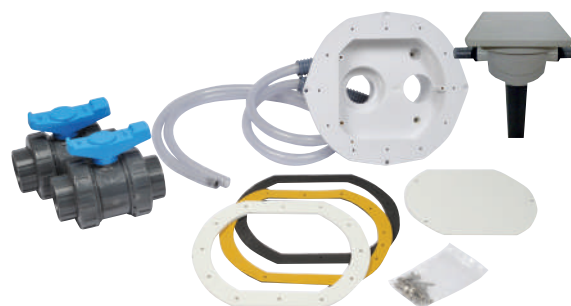


connection box available in different colors on request

## SET-UP OPTIONS (package 1)



for concrete and shell structures



for panel structures

CODE	SEALING PART (STANDARD WITH REAR COUNTER-FLANGE)	WEIGHT (KG)
507721	Ø 63/75mm	5

CODE	SEALING PART (TO FIT ON A SIDE)	WEIGHT (KG)
800010	Ø 63/75mm	5

Pool fittings available in Ø 90 mm (code: OPTI90)

## REFERENCES (package 2)

CODE	PRO LUXE MODEL	WEIGHT (KG)	COLOR
800312	PRO LUXE 2 HP Single-phase add-on	30	White
800312S			Sand
800312G			Grey
800312A			Charcoal grey
800310	PRO LUXE 3 HP Single-phase add-on		White
800310S			Sand
800310G			Grey
800310A			Charcoal grey
800311	PRO LUXE 4 HP Three-phase add-on		White
800311S			Sand
800311G			Grey
800311A			Charcoal grey

# LUM JET VAG

## COUNTER-CURRENT SWIMMING COMPLETE LIGHT SET!

### CHARACTERISTICS

- White CCS front panel with multicolor LED lighting
- Sealing part  $\varnothing$  63/75mm with 2 choices available:
  - Standard with rear counter-flange
  - TO fit on a side
- Dual-function remote control: CCS on/off and lighting color control



**Package 1**

Sealing part + valves + connection box\*

(selection based on structure: see below)

**then Package 2**

Front Panel

**KIT COMPONENTS**

Appropriate electrical box & remote control

CCS Pump

connection box available in different colors on request

### SET-UP OPTIONS (package 1)



for concrete and shell structures

CODE	SEALING PART (STANDARD WITH REAR COUNTER-FLANGE)	WEIGHT (KG)
507721	$\varnothing$ 63/75mm	5



for panel structures

CODE	SEALING PART (TO FIT ON A SIDE)	WEIGHT (KG)
800010	$\varnothing$ 63/75mm	5

Pool fittings available in  $\varnothing$  90 mm (code: OPT190)

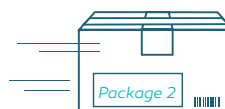
### REFERENCES (package 2)

CODE	LUM JET VAG + BUILT-IN PIEZO CONTROL	WEIGHT (KG)
800070	LUM JET VAG 2 HP Single-phase add-on	30
800071	LUM JET VAG 3 HP Single-phase add-on	
800072	LUM JET VAG 4 HP Three-phase add-on	

### PACKAGING



Package 1: 325 x 340 x



240mm  
Package 2: 550 x 470 x 400mm



Counter-current swimming  
& balneo solutions

## BALNEO

• EFFERVESCENCE® SOLO OR DUO .....	154
• BULLÉO SOLO OR DUO .....	156
• BALNEO SOLO OR DUO .....	158
• BALNEO KIT .....	160
• HYDROMASSAGE.....	161
• DUO MIX.....	162
• ACCESSORIES .....	164

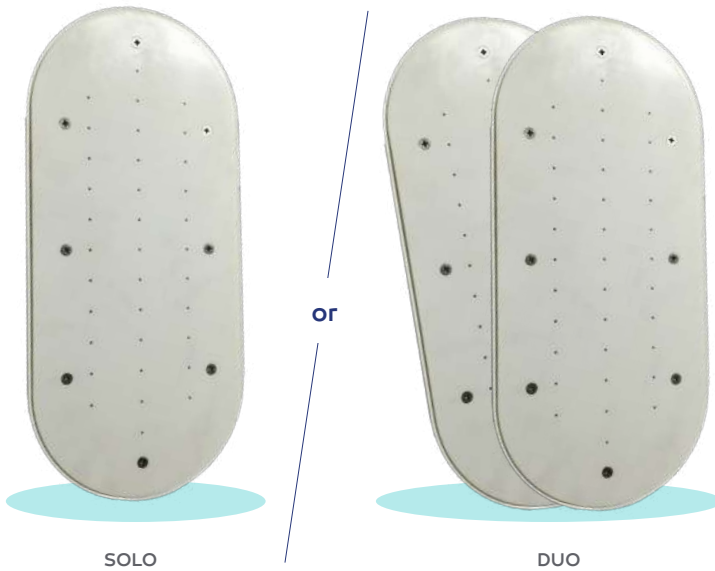




# EFFERVESCENCE® SOLO OR DUO

DESIGNED WITH RELAXATION IN MIND

## CHARACTERISTICS



- 2 models are available:
  - Seal-on (for concrete)
  - Clip-on (for all other structures)
- It is installed horizontally for optimal diffusion of bubbles
- It can be assembled in any area and on any structure
- Large bubble diffusion surface area
- Perfectly flat and no raised surface, even on a liner
- The Effervescence DUO model comes with 2 Effervescence® plates (+ 2 sealing parts)
- Plate dimensions: 49 cm (L) x 22 cm (w) x 7 cm (h)

## OPERATION & COMPONENTS





## NEW STRUCTURES

NEW!



Wood

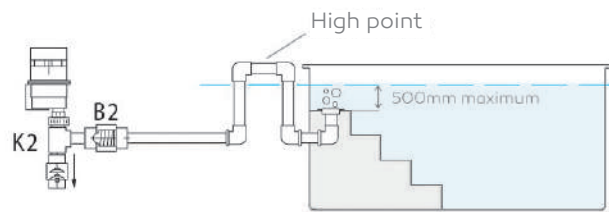
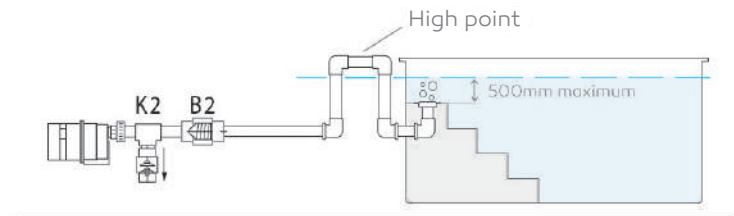


Shell



Panels

## PRINCIPLE OF ASSEMBLY



Caption:

B2: back-flow valve

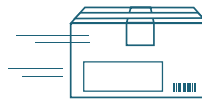
K2: drain valve

## COLOR



- White
- Grey
- Charcoal grey
- Sand
- Stainless steel

## PACKAGING



460x400x335 mm

## REFERENCES

Available in shell - for pricing and references, contact us.

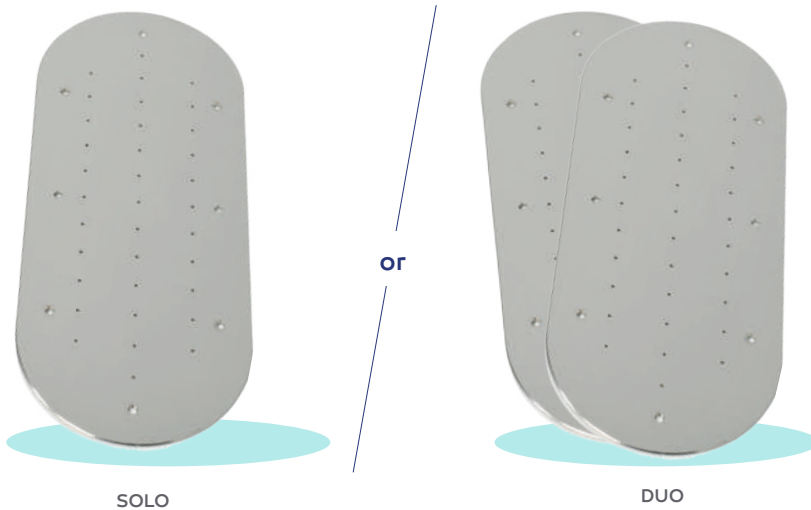
CODE	CONCRETE / CONCRETE-LINER MODEL	COLOR
800600	Effervescence Solo CL 400 W+180 W set	White
800600S		Sand
800600G		Grey
800600A		Charcoal grey
800600inox		Stainless steel

CODE	CONCRETE / CONCRETE-LINER MODEL	COLOR
800700	Effervescence Duo CL 900 W+180 W set	White
800700S		Sand
800700G		Grey
800700A		Charcoal grey
800700inox		Stainless steel

# BULLÉO SOLO OR DUO

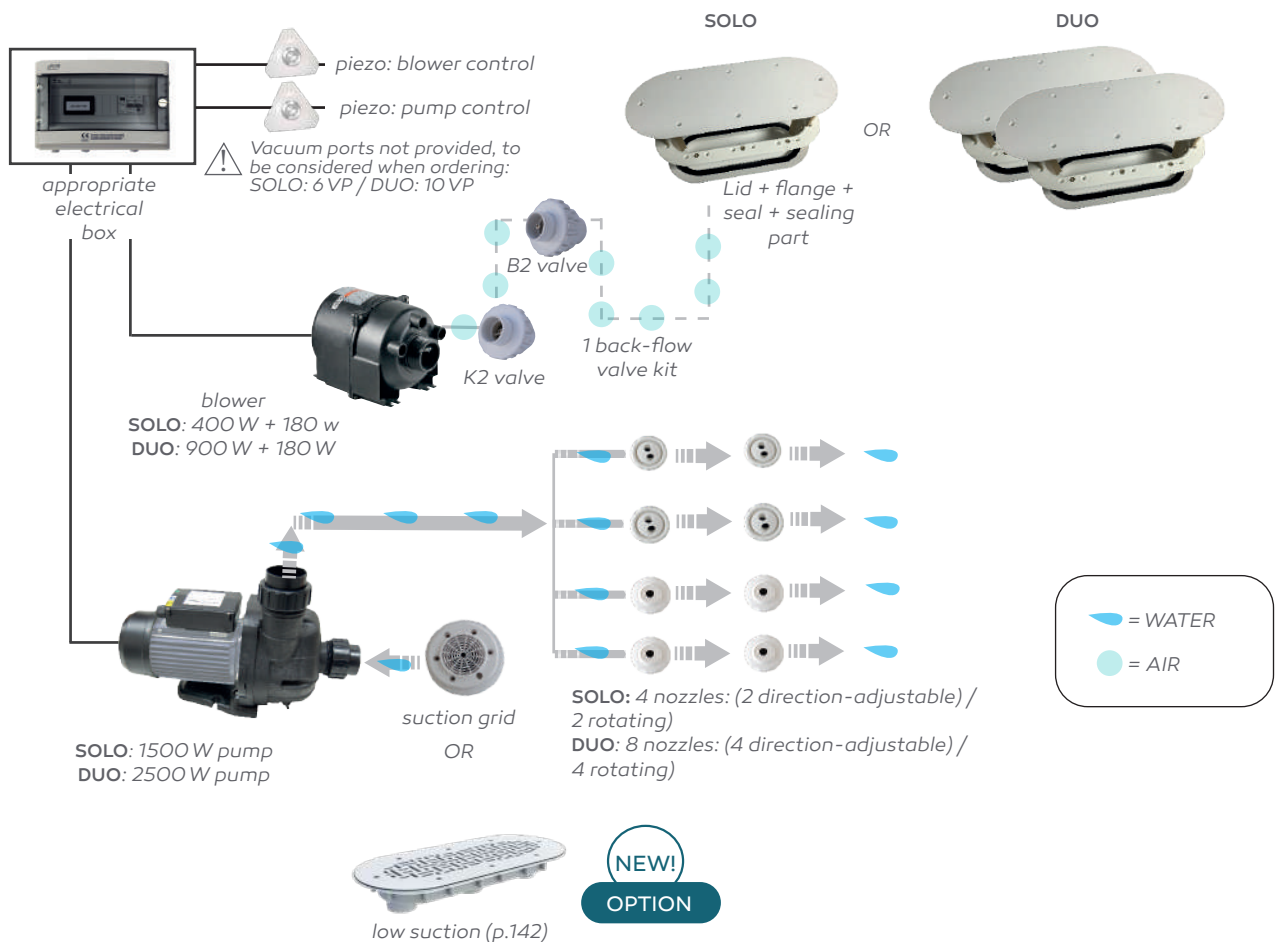
THE BENEFITS OF A SPA IN A SWIMMING POOL

## CHARACTERISTICS

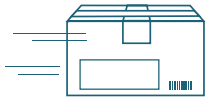


- 2 models are available:
  - Seal-on (for concrete)
  - Clip-on (for all other structures)
- Start-up via piezo control
- For all structure types
- Option to replace the classic suction grid with low suction that is available in various colors (p.142)

## OPERATION & COMPONENTS



## PACKAGING



700x500x380 mm

## COLOR



- White
- Grey
- Charcoal grey
- Sand
- Stainless steel

## REFERENCES

Available in shell - for pricing and references, contact us.

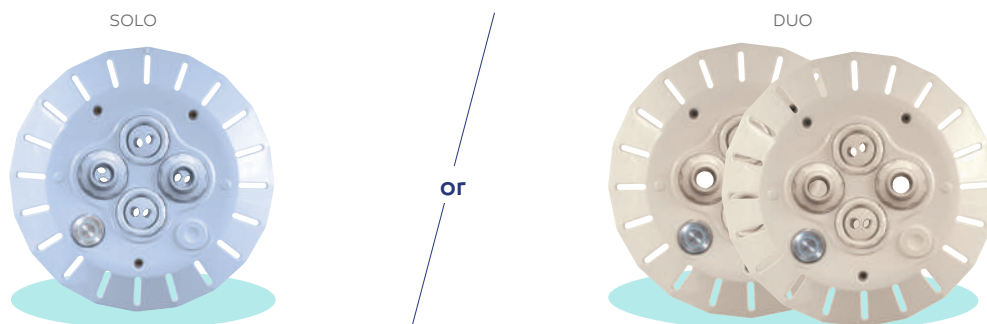
CODE	CONCRETE / CONCRETE-LINER MODEL	COLOR
800800	Bulléo solo CL 400W+180W and MGD+ 2 HP set	White
800800S		Sand
800800G		Grey
800800A		Charcoal grey
800800inox		Stainless steel

CODE	CONCRETE / CONCRETE-LINER MODEL	COLOR
800900	Bulléo Duo CL 900 W + 180 W and MGD+ 3 HP set	White
800900S		Sand
800900G		Grey
800900A		Charcoal grey
800900inox		Stainless steel

# BALNEO SOLO OR DUO

MASSAGING EFFECT GUARANTEED

## CHARACTERISTICS



- Balneo SOLO or DUO single-unit front panel(s) with 2 direction-adjustable and 2 rotating nozzles
- Ø 63/75 mm sealing part(s) with 2 choices available:
  - standard with back counter flange
  - to fit on a side
- Standard illuminated piezo (2.5 ml) / **OPTION** 15 ml

## COLOR



white



sand



gray



charcoal

**Package 1**

**x2 (DUO)**

Sealing part(s) + valves + connection box

*(selection based on structure: see opposite)*

**KIT COMPONENTS**

*then Package 2*

**or**

1 or 2 front panel(s) with piezo

**+**

Appropriate electrical box & remote control

**+**

**or**

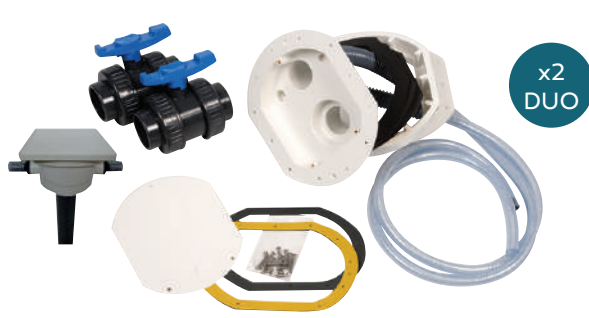
MGD+ 24/28 2 HP pump (Balneo SOLO)

**or**

CCS pump (Balneo DUO)

connection box available in different colors on request

## SET-UP OPTIONS (package 1)



for concrete and shell structures



for panel structures

PRODUCT	CODE	SEALING PART (STANDARD WITH BACK COUNTER-FLANGE)	WEIGHT (KG)
Balneo SOLO	507721	Standard $\varnothing$ 63/75 mm	5
Balneo DUO	507721BA	2 standard $\varnothing$ 63/75 mm sealing parts	11

PRODUCT	CODE	SEALING PART(S) (TO FIT ON A SIDE)	WEIGHT (KG)
Balneo SOLO	800010	$\varnothing$ 63/75mm	5
Balneo DUO	800010BA	2 $\varnothing$ 63/75 mm sealing parts	11

Pool fittings available in  $\varnothing$  90 mm (code: OPT190)

## REFERENCES (package 2)

CODE	BALNEO SOLO ADD-ON	WEIGHT (KG)	FRONT PANEL COLOR
800300	MGD+ 24/28 S 2 HP Single-phase	28	White
800300S			Sand
800300G			Grey
800300A			Charcoal grey
800301	MGD+ 24/28 T 2 HP Three-phase		White
800301S			Sand
800301G			Grey
800301A			Charcoal grey

CODE	BALNEO DUO ADD-ON	WEIGHT (KG)	FRONT PANEL COLOR
800329	CCS 215 3 HP Single-phase	30	White
800329S			Sand
800329G			Grey
800329A			Charcoal grey
800330	CCS 295 4 HP Three-phase		White
800330S			Sand
800330G			Grey
800330A			Charcoal grey



# BALNEO KIT

ENJOY BALNEO BENEFITS

## CHARACTERISTICS

- A gentle solution: the benefits of massage and bubbles thanks to the nozzle venturi system

## COMPONENTS

2 VERSIONS AVAILABLE

### BALNEO KIT WITH 6 NOZZLES

- 1 x suction system (liner, concrete, shell)
- 1 x MGD 3 HP pump
- 1 x Electric box
- 1 x piezo control
- 6 x Venturi nozzles, including 3 rotating nozzles with screw cover



### BALNEO KIT WITH 9 NOZZLES

- 2 x suction systems (liner, concrete, shell)
- 1 x 215M pump
- 1 x Electric box
- 1 x piezo control
- 9 x Venturi nozzles, including 6 rotating nozzles with screw cover

or



### 2 WALL PIPE OPTIONS AVAILABLE (VENTURI)

32115	standard 190 mm	
32385	long 275 mm	

### OPTIONS

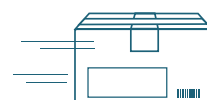
- ▶ Adjustable air intake ref: 32117
- ▶ Rotating and direction-adjustable nozzles available in multiple colors



## REFERENCES

CODE	BALNEO KIT	WEIGHT (KG)
RB6	6-Nozzle balneo kit with MGD+ 3 HP Single-phase pump	30
RB6L	6-Nozzle (long) balneo kit with MGD+ 3 HP single-phase pump	30
RB9	9-Nozzle balneo kit with CCS 215 HP single-phase pump	33
RB9L	9-Nozzle (long) balneo kit with CCS 215 HP single-phase pump	33
32117	Adjustable air intake (suitable for 3 nozzles maximum)	

## PACKAGING



530x470x400 mm

# HYDROMASSAGE

ADAPTABLE AND PRACTICAL NOZZLES

## CHARACTERISTICS

- A practical rotating nozzle: can be placed wherever you wish in new and existing pools
- Particularly suitable in restricted areas such as stairs
- Effective massage
- Multiple choices of placing possibilities
- Adapts to 1 1/2" point, e.g. vacuum port



## COLOR



white



sand



gray



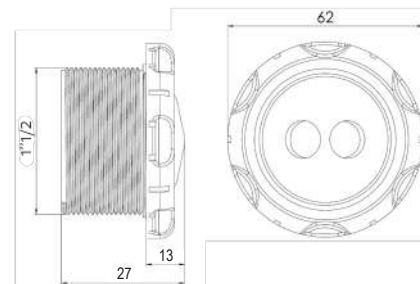
charcoal



chromium-plated



## DIMENSIONS



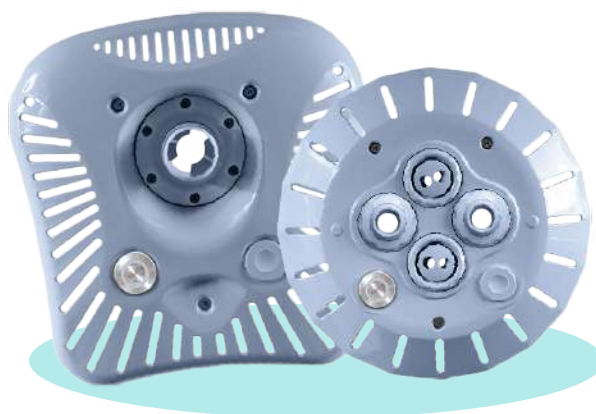
## REFERENCES

CODE	INDIVIDUAL NOZZLE	COLOR
32121	Rotating nozzle	White
32121S		Sand
32121G		Grey
32121A		Charcoal grey
32121C		Chromium-plated

# DUO MIX

THE COUNTER-CURRENT SWIMMING AND BALNEO SOLUTION

## CHARACTERISTICS



- Single-unit Balneo front panel with 2 rotating and 2 direction-adjustable nozzles + 1 single-unit Jet Vag PRO LUXE front panel including central Ø 42 mm nozzle for counter current swimming
- Standard illuminated piezo (2.5 ml) / **OPTION** 15 ml
- Ø 63/75 mm sealing part(s) with **2 choices available:**
  - standard with back counter flange
  - to fit on a side
- PRO LUXE front panel with air flow control directly on the front panel thanks to the adjusting rotating button that allows to modulate air supplying
- Solenoid valve to switch from one mode to another (CCS/Balneo)

## PRODUCT HIGHLIGHTS

- Versatility: Choose between a moment of relaxation or exercise by simply turning on the piezo

## COLOR



white



sand



gray

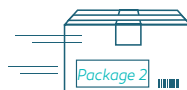


charcoal

## PACKAGING



Package 1: 700 x 490 x 490 mm



Package 2: 395 x 340 x 240 mm

## KIT COMPONENTS

Package 1

Sealing part + valves + connection box\*  
*(selection based on structure: see above)*

then Package 2

2 front panels with piezo + Electrical box & remote control + CCS Pump + Solenoid valve

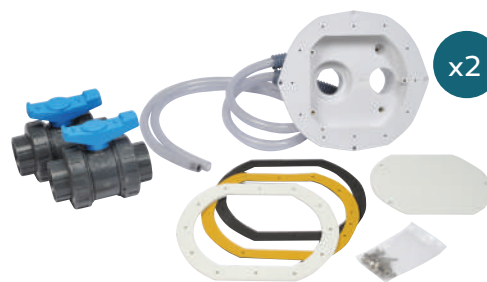
connection box available in different colors on request

## SET-UP OPTIONS (package 1)



for concrete and shell structures

CODE	SEALING PART (STANDARD WITH BACK COUNTER-FLANGE)	WEIGHT (KG)
507721BA	Ø 63/75 mm	11



for panel structures

CODE	SEALING PART (TO FIT ON A SIDE)	WEIGHT (KG)
800010BA	Ø 63/75 mm	11

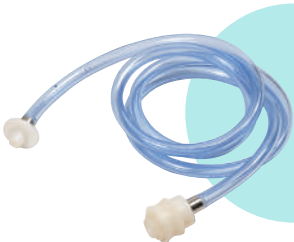

Pool fittings available in Ø 90 mm (code: OPT190)

## REFERENCES (package 2)

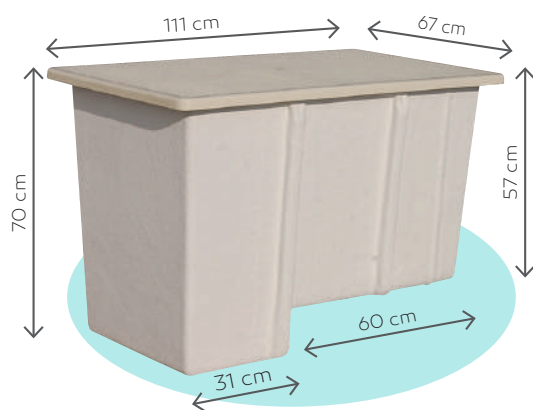
CODE	DUO MIX ADD-ON	WEIGHT (KG)	FRONT PANEL COLOR
800319	DUO MIX 3 HP Single-phase	28	White
800319S			Sand
800319G			Grey
800319A			Charcoal grey
800320	DUO MIX 4 HP Three-phase		White
800320S			Sand
800320G			Grey
800320A			Charcoal grey

# ACCESSORIES

## WELLBEING AND COMFORT

	CODE	MODEL
	JD042	Water jet Ø 42 mm (New Jet Vag and Lum Jet Vag, Alvéo'Nox and Pro Luxe)
	JD035	Water jet Ø 35 mm (Junior, Junior PRO, BS and JN kit or old Jet Vag)
	507503	1.50 m massage hose for Ø 35 mm nozzle
	507502	1.50 m massage hose for Ø 42 mm nozzle
	507501	3 m massage hose for Ø 35 mm nozzle
	507500	3 m massage hose for Ø 42 mm nozzle
	50756	316L Stainless steel handle for concrete, shell or liner (400 mm)

## SERVICE UNIT











CODE	MODEL
800081	Service unit for CCS

- Underground polyester equipment container with RTM cover for CCS
- Closing system
- 2 door seals for PVC Ø 63 mm



## TECHNICAL ACCESSORIES

	CODE	MODEL
	50782	BS and JN suction
	50784	JN return kit with nozzle + push button + pneumatic control pipe + air suction tube, kit for concrete, liner, wood and shell pools
	50785	BS return kit with nozzle + push button + pneumatic control pipe + air suction tube, kit for concrete, liner and shell pools
	50779	Single BS nozzle
	50783	Single JN nozzle
	174277	Pneumatic control pipe (per 10 m)
	6438	Pneumatic push button
	6439	Pneumatic push button and 1"1/2 stand



## PIEZO


**PIEZO-INOX-ADAPT**

For assembly on a CCS front panel fitted with a pneumatic system.  
For changes to an existing installation.


**PIEZO6438P**

ø M22 piezo (2.5 ml cable) + Receiver and remote control.


**PIEZO6438P15**

ø M22 piezo (15 ml cable) + Receiver and remote control.


**PIEZO6439P**

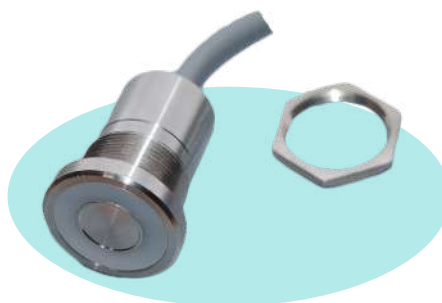
Piezo with a 1" 1/2 adjustment (2.5 ml cable) + Receiver and remote control.


**PIEZO6439P15**

Piezo with a 1" 1/2 adjustment (15 ml cable) + Receiver and remote control.

## CHARACTERISTICS

- Reliable operation with electrical control and not pneumatic
- The piezo provides increased visibility of your control in the water
- 2 backlit colors used as an operation lamp
- Assembly on new or existing installations (excluding Lum Jet Vag)
- The stainless steel part is



stylish and goes perfectly with a stainless steel counter-current swimming system

- Comes with electrical box and a 2.5 ml or 5 ml cable
- An effective substitute for the pneumatic system which is limited by the distance and premature deterioration of the control pipe



Counter-current swimming  
& balneo solutions

## WATER GAMES

• WATER GAMES RANGE .....	168
• MINI TAP.....	170
• TAP.....	170
• DOUBLE WATER CANON .....	171
• HEDGEHOG.....	171
• MULTI SHOWERS .....	172
• MULTI JETS .....	172
• MULTI WATERFALLS .....	172
• TRANSLUCENT MULTI JET L .....	173
• TRANSLUCENT MULTI JET XL.....	173
• RUGBY GOAL POSTS.....	173
• WATER ARCH.....	174
• MUSHROOM XL.....	174
• MUSHROOM XXL .....	174

# WATER GAMES RANGE

Would you like to brighten up your sundeck or pool surroundings? Looking to create a fun environment? ACIS offers a varied range of customizable Jet Vag water games with up to 14 to choose from!



### Advantages of the water games range:

- 14 games to choose from
- Customizable bright colors
- Quality components: a coated PVC tube and stainless steel bolts for strong resistance
- Games that are made 100% by us and tested at our plant

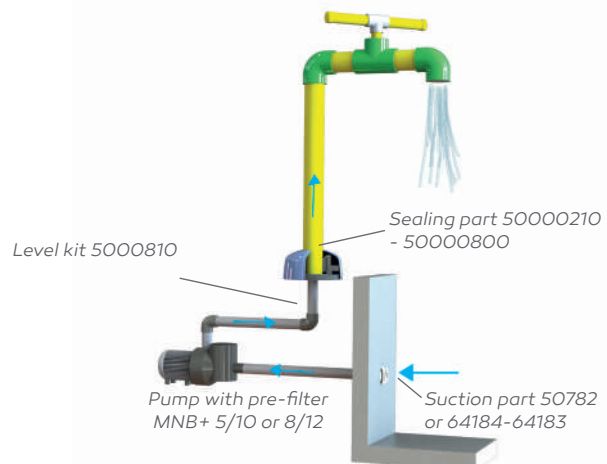
## HOW IT WORKS

The games operate in a closed circuit at the pool level.

SELECT YOUR PRODUCT IN 2 STEPS:

1 Sealing part options

2 Game options





## 1 Sealing part options

The sealing parts chosen and offered by ACIS ensure easy and quality game assembly. This also makes them interchangeable.

Upstream, there are 2 sealing parts to fit these games:

### • REF. 50000210 – CONCRETE SEALING PART FOR SURFACE ASSEMBLY Includes: 1 flange, 4 anchor stud bolts

CODE	DESIGNATION
50000810	Liner sealing

+ 1 LINER SEALING KIT FOR THE SEALING PART. REF: 50000810

CODE	DESIGNATION
50000800	Concrete / liner sealing part to be built in



### • REF. 50000800 – CONCRETE / LINER SEALING PART WITH ANCHORING STRAP TO BE BUILT IN

CODE	DESIGNATION
50000200	Level kit

+ 1 LEVEL KIT. REF: 50000200  
Essential for fitting the sealing part to ensure perfect assembly

CODE	DESIGNATION
50000210	Concrete sealing part to be fitted





## 2 Game options

Discover our range with standard or customizable colors

For each game made with standard colors, you also have a special color option from the colors listed across and priced by zone.



# MINI TAP

## CHARACTERISTICS

- Dimensions: H. 2,400 mm
- Flow: 1 m<sup>3</sup>/h

## REFERENCES

CODE	DESIGNATION	STANDARD COLORS		
		Head	Leg	Cover
50000410	Mini tap	Yellow	Pink	White
OPTION	Special paint			



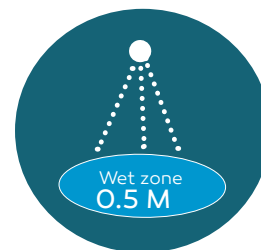
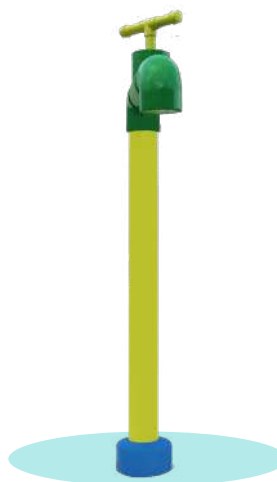
# TAP

## CHARACTERISTICS

- Dimensions: L. 1,453 mm H. 2,510 mm
- Flow: 1.5 m<sup>3</sup>/h

## REFERENCES

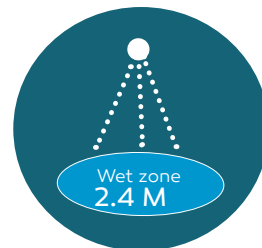
CODE	DESIGNATION	STANDARD COLORS		
		Head	Leg	Cover
50000330	Tap	Green	Yellow	Blue
OPTION	Special paint			



# DOUBLE WATER CANON

## CHARACTERISTICS

- Dimensions: L. 1200 mm H. 870 mm
- Flow: 5.5 m<sup>3</sup>/h



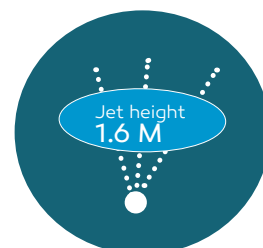
## REFERENCES

CODE	DESIGNATION	STANDARD COLORS		
		Elbow	Leg	Cover
50000340	Double water canon			
OPTION	Special paint			

# HEDGEHOG

## CHARACTERISTICS

- Dimensions: L. 480 mm H. 800 mm
- Flow: 3.5 m<sup>3</sup>/h



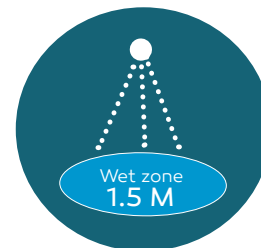
## REFERENCES

CODE	DESIGNATION	STANDARD COLORS		
		Head	Leg	Cover
50000320	Hedgehog			
OPTION	Special paint			

# MULTI SHOWERS

## CHARACTERISTICS

- Dimensions: L. 1400 mm H. 2400 mm
- Flow: 2.75 m<sup>3</sup>/h



## REFERENCES

CODE	DESIGNATION	STANDARD COLORS		
		Elbow	Leg	Cover
50000340	Multi showers			
OPTION	Special paint			

# MULTI JETS

## CHARACTERISTICS

- Dimensions: L. 1700 mm H. 2000 mm
- Flow: 9 m<sup>3</sup>/h



## REFERENCES

CODE	DESIGNATION	STANDARD COLORS		
		Head	Leg	Cover
50000350	Multi jets			
OPTION	Special paint			

# MULTI WATERFALLS

## CHARACTERISTICS

- Dimensions: L. 1700 mm H. 2000 mm
- Flow: 9 m<sup>3</sup>/h



## REFERENCES

CODE	DESIGNATION	STANDARD COLORS		
		Head	Leg	Cover
50000330	Multi waterfalls			
OPTION	Special paint			

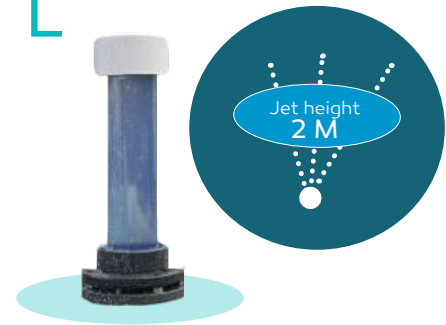
# TRANSLUCENT MULTI JET L

## CHARACTERISTICS

- Dimensions: L. 480 mm H. 800 mm
- Flow: 3.5 m<sup>3</sup>/h

## REFERENCES

CODE	DESIGNATION	STANDARD COLORS	
	Head	Head	Cover
50000390	Translucent multi jet L		
OPTION	Special paint		



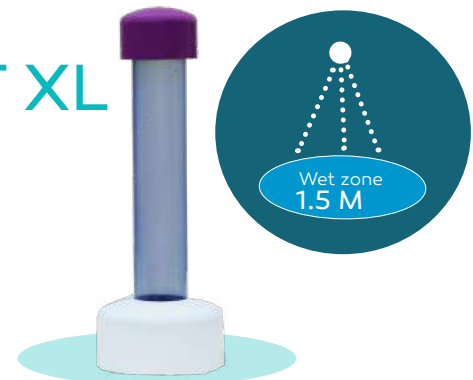
# TRANSLUCENT MULTI JET XL

## CHARACTERISTICS

- Dimensions: L. 200 mm H. 1040 mm
- Flow: 1.5 m<sup>3</sup>/h

## REFERENCES

CODE	DESIGNATION	STANDARD COLORS	
	Head	Head	Cover
50000380	Translucent multi jet XL		
OPTION	Special paint		



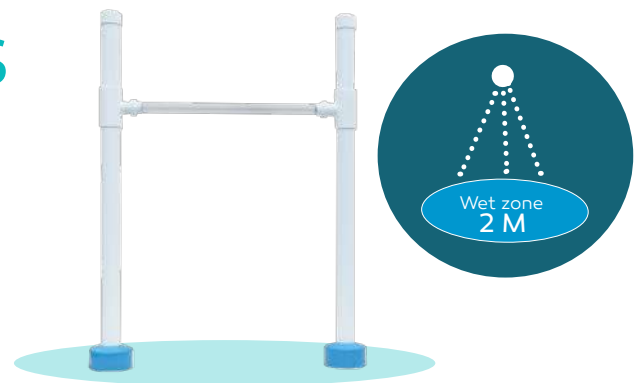
# RUGBY GOAL POSTS

## CHARACTERISTICS

- Dimensions: L. 2000 mm H. 3000 mm
- Flow: 4 m<sup>3</sup>/h

## REFERENCES

CODE	DESIGNATION	STANDARD COLORS	
	Head	Head	Cover
50000410	Rugby goal posts		
OPTION	Special paint		



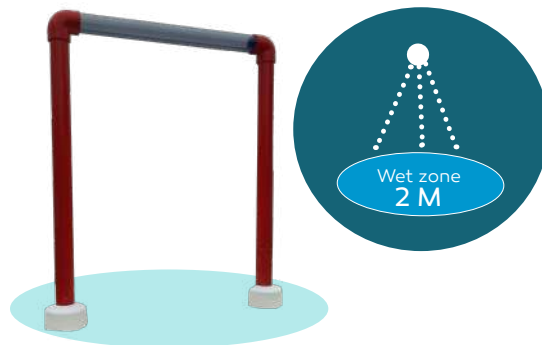
# WATER ARCH

## CHARACTERISTICS

- Dimensions: L. 2000 mm H. 2670 mm
- Flow: 3.5 m<sup>3</sup>/h

## REFERENCES

CODE	DESIGNATION	STANDARD COLORS		
		Leg	Cover	Arms
50000400	Water arch			transparent
OPTION	Special paint			



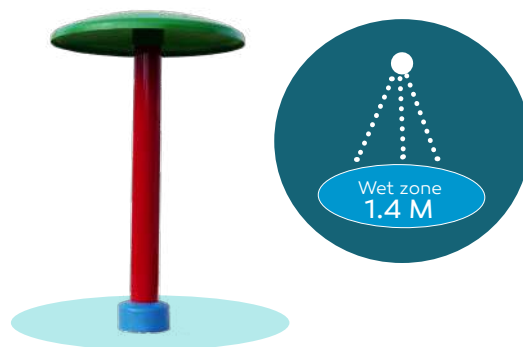
# MUSHROOM XL

## CHARACTERISTICS

- Dimensions: L. 1400 mm H. 2300 mm
- Flow: 6 to 11 m<sup>3</sup>/h

## REFERENCES

CODE	DESIGNATION	STANDARD COLORS		
		Head	Leg	Cover
50000300	Mushroom XL			
OPTION	Special paint			



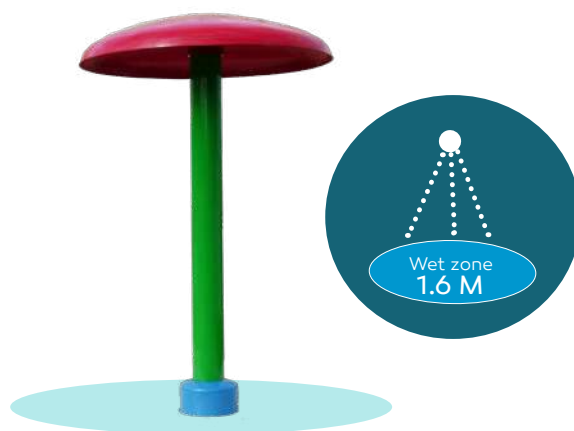
# MUSHROOM XXL

## CHARACTERISTICS

- Dimensions: L. 1600 mm H. 2500 mm
- Flow: 6 to 11 m<sup>3</sup>/h

## REFERENCES

CODE	DESIGNATION	STANDARD COLORS		
		Head	Leg	Cover
50000310	Mushroom XXL			
OPTION	Special paint			









# GTC 2021

## Article 1 - Purpose and scope

These terms and conditions ("GTC") apply between the company ACIS and the customer, acting exclusively in the framework of its professional activity. These GTCs express all obligations of the parties. All product orders imply the customer's unconditional acceptance of and full agreement to these GTCs, which prevail over any other contradictory document, including all customer general terms and conditions of purchase, unless our company has agreed special conditions in writing with the customer. All documents other than these GTCs, including catalogs, brochures, advertisements and manuals, are for information only and hold no contractual value.

## Article 2 - Orders

An order is any request made for our products and is accepted by our company, along with payment of any deposit stated on the purchase order. The orders submitted to our company are irrevocable for the customer upon confirmation of the order by ACIS, unless we provide written acceptance. Any request to change the composition or size of an order a customer places will only be taken into consideration by us if the request is made in writing, including by fax or email, and is sent to us within two (2) working days of us receiving the initial order and following a new order confirmation by ACIS with any possible pricing adjustment. In the event the customer modifies the initial order, our company will be exempt from the deadlines agreed upon for its initial execution. ACIS reserves the right to suspend the execution of the customer's orders if our terms of sale have not all been met. The ordered goods cannot be returned.

If a customer orders from our company without having paid for previous order(s), our company can refuse to honor the order or deliver the goods in question, without the customer being able to claim compensation for any reason.

## Article 3 - Price

3.1. Determination / revision: Our product prices are given for information purposes in our company catalogs for the current calendar year at the time of order. However, these prices are subject to change, without notice, according to fluctuations in elements comprising the cost of products. All price modifications shall be automatically applicable to orders made after they enter into effect. The customer will be informed of this price modification at the time of ordering. Our prices are listed exclusive of tax and transport costs.

3.2. Minimum amount: We only accept orders (or bundled requests) of an amount greater than or

equal to twenty-five euros (€25.00) excluding VAT. Otherwise, a sufficient number of parts will be delivered to make the total amount charged as close as possible to this minimum for invoicing. This minimum does not apply to order balances. Our prices do not include the eco-tax. Any orders below a value of one hundred fifty euros (€150.00) excluding VAT, shall be processed and managed with an additional fixed fee of twenty euros (€20.00) excluding VAT.

Also, any orders registered for direct delivery (to the customer of a customer) with a specific delivery slip shall be processed and managed with an additional fixed rate fee of thirty-five euros (€35.00) excluding VAT.

## Article 4 - Payment conditions

4.1. Our invoices are payable at 30 calendar days from the date of delivery. The due date is stated on the invoice. The prices are net without discount.

4.2. All orders we accept are executed, subject to you presenting sufficient financial guarantees and effectively paying the sums by their due dates, in accordance with the legislation that governs these GTCs. Also, if our company has serious or specific reasons to suspect the customer will have payment difficulties on the date of ordering, or after that date, or if the customer does not present the same guarantees on the date of order acceptance, our company can make order acceptance or continuation of execution conditional on cash payment or the customer providing our company with securities. If the customer refuses to make a cash payment and do not provide sufficient securities, our company can refuse to honor the order(s) made and refuse to deliver the goods concerned, without the customer having any recourse to argue unjustified refusal of sale or claim any compensation.

4.3. Default / late payment: In the event of late, or total or partial payment default on delivered goods on the due date for payment of the invoice, the customer shall pay our company a late penalty equal to three (3) times the legal interest rate calculated on the tax-inclusive total stated on the invoice. The legal interest rate applied is the one in force on the date of delivery of goods. This penalty runs from the due date for payment of the invoice without any formality or prior formal notice.

Unless ACIS has given its express prior written agreement, and provided that the mutual receivables and payables are unquestionable, liquid and due, no compensation shall be validly made between any penalties for delays in the non-conformity of products ordered by the customer, on the one hand, and the sums owed

by the customer to ACIS for the purchase of said products, on the other hand.

In addition to late indemnities, any sum, including deposits, unpaid on the date payable, will automatically produce payment of a fixed indemnity of 40 euros due as collection fees. These penalties do not exclude our company's right to bring the case before the relevant courts to obtain a ruling ordering the customer to pay, failing which court-imposed daily late penalty fees will apply.

## Article 5 - Delivery and transport

Delivery will be made at the premises indicated on the purchased order by the customer, by direct delivery of the products to the customer. Changes to the delivery location by the customer may be made subject to a notice of 4 working days before the planned delivery date, at the customer's sole expense. Similarly, in the event of special requests made by the customer with respect to the packaging or transport conditions of the products ordered, duly accepted in writing by ACIS, the costs and related costs will be subject to an additional specific charge.

5.1. Delivery time: Delivery times are only given for information purposes; they depend in particular on the chronological order in which orders arrive and on the availability of carriers. Delivery times are in principle 12 working days for products in stock from the relevant order confirmation by ACIS and payment of the price of the goods, and 10 weeks for products that are available on request or customized. Our company endeavors to respect the delivery times it indicates when accepting the order, according to the industry standard delivery time, except in the event of force majeure (as defined in Article 12 below).

5.2. Delivery delays: Any delay in relation to the availability times indicated initially, do not justify closure of the order placed by the customer and registered by our company or motivate the cancellation of an order, or engage the liability of ACIS for any reason whatsoever (as well as for force majeure - as defined in Article 12 below), nor give rise to any penalty or compensation on our part. The penalty clauses in the sales documents such as customer general terms and conditions of purchase do not apply to us.

5.3. Transport: It is the customer's responsibility, in the event of damage to the goods delivered or missing products, to notify the carrier of all issues, by registered post with acknowledgment of receipt, within three (3) calendar days, excluding public holidays, following receipt, a written copy of which will be sent simultaneously to our company.

If this procedure is not followed by the customer, the goods will be considered accepted by the customer and no claim will be taken into account by ACIS. The customer is responsible for providing all proof as to the reality of the defects or missing products declared.

Our company can under no circumstances be held responsible for events occurring during transport, destruction, loss or theft, even if ACIS selected the carrier.

5.4. Acceptance: Receipt by the customer, without reservation, of the products ordered by the customer, within three (3) calendar days, covers any apparent defect and/or missing product (after the aforementioned period, an action for non-conformity may not be brought by the customer, the latter may not oppose this action as a counterclaim to defend themselves in a debt collection action brought by our company). No goods can be returned by the customer without prior, express written agreement from our company. In case of apparent defects or missing products, declared by our services, ACIS will proceed with the replacement of the non compliant items and/or with a supplement, without the customer being able to claim indemnity or closure of the order. The customer shall provide all justifications as to the reality of the defects declared as our company reserves the right to proceed directly or indirectly with declaration and verification on site, which the customer agrees to from here forward. The defects and deteriorations of products delivered following abnormal storage and/or conservation conditions on customer premises, notably when unloading or in the event of an accident of any type that is not attributable to our company, shall not entitle the customer to a warranty claim from our company.

The product submitted to us for repair (except for instances provided for in Article 9 below) must always be sent to us with postage paid by the customer. All repair requests shall be subject to a prior acceptance estimate by the customer.

5.5. Suspension of delivery: In the event of full payment not being received by the invoice due date, and after notice has been issued with no reply after forty-eight (48) hours, our company reserves the right to suspend any current and/or pending delivery.

#### Article 6 - Transfer of risk

The transfer of the risk of loss and deterioration to the customer will be carried out as soon as the products are handed over to the carrier, independently of the transfer of ownership and regardless of the date of the order and its payment. The customer acknowledges that it is the carrier's responsibility to perform the delivery, ACIS being deemed to have fulfilled its delivery obligation once it has handed over the ordered products to the carrier, who has accepted them without reservation. The customer shall therefore not have any warranty claim against ACIS in the event of non-delivery of products or damage during transport or unloading.

#### Article 7 - Retention of ownership

Ownership of our products is not transferred until full payment of the product price is made by the customer, for the principle and accessory costs, even if later payment deadlines are granted. By express agreement, our company may exercise the rights we hold as part of this retention of ownership clause for any of our debts, for the totality of our products in possession of the customer as they are conventionally deemed not to have been paid for and our company can reclaim or request them as compensation for all unpaid invoices, without prejudice to our right to close out any sales in progress. Any deposit made by the customer will be retained by ACIS as a fixed indemnity, without prejudice to any other action that ACIS may be entitled to take against the customer.

In the event of default on payment, the customer is prohibited from reselling its stock up to the quantity of unpaid products. Under no circumstances may the customer pledge or create a security interest in the products delivered by ACIS that have not been paid for. Our company may unilaterally, after sending a notice, take an inventory or have one carried out on the unpaid products delivered to the customer. Given this, and by accepting these GTCs, the customer expressly agrees to provide free access to its warehouses, stores and other premises for this purpose, making sure that it is still possible to identify our company's products. If an insolvency procedure is opened or in the case of goods liquidation, the orders in progress will be automatically canceled and our company reserves the right to reclaim the merchandise held in stock. The customer therefore undertakes to have the products ordered from ACIS insured at their own expense, by an appropriate insurance policy up to the complete transfer of ownership and to provide proof of this to ACIS upon delivery. Failing this, ACIS shall be entitled to delay delivery until such proof has been presented.

#### Article 8 - Technical characteristics and product safety

Our products are designed exclusively for private use (except for collective housing products), under the responsibility of parents and/or legal guardians. Products requiring hydraulic and/or electrical connections for installation or initial start-up (e.g. our Jet Vag products) must be installed by a person who, as part of his/her profession, understands all the usage rules in our documents and all safety measures required by current regulations for this type of product, so as to guarantee the safety of the end users. When reselling the products described above, as part of the customer's normal company operation they will ensure compliance with the aforementioned measures. In particular, the customer must, irrespective of the distribution process it intends to use (e.g. e-commerce), ensure the effective communication of safety information for the installation and/or initial start-up of products requiring hydraulic and/or electrical connections via its own GTCs. In case of non-compliance with the above measures:

- said products will be subject to an exclusion from the warranty as indicated in Article 3 of these GTCs,

- and ACIS shall not be held responsible for any damages suffered by the end consumer due to non-compliance with safety rules specified by the customer.

In addition, any failure to comply with the above measures shall authorize ACIS to:

- invoke the customer's liability and obtain compensation for the damage suffered,
- and if necessary proceed to cancel the contract.

By accepting these GTCs, the customer declares that it has been fully and expressly informed of the fundamental nature of this obligation and the consequences resulting from its violation. All of our products comply with current safety standards. Given our aim to continuously improve the quality of our products, We reserve the right to modify the measurements and characteristics of our models at any time. Product photos are non-binding. As products are continuously changing, the company can modify their technical composition without notice as well as the product reference characteristics, which are provided for information purposes only. Products that are no longer included in our range will be replaced by an equivalent product, at least.

#### Article 9 – Hidden defects

9.1. A hidden defect is a material, design or manufacturing defect affecting the products delivered and rendering them unfit for use.

9.2. Our warranty only applies to products that:

- legally became the property of the customer;
- are entirely manufactured by our company.

A design defect is not a hidden defect and customers are deemed to have received all technical information concerning our products.

9.3. Our company's warranty for hidden defects is limited to a duration of two (2) years. This period is extended to five (5) years exclusively for resin-coated motors (excluding bearings and condenser). This warranty starts from the date of purchase of the product by the final consumer from our customer in the store. Our warranty ceases automatically:

- upon expiration of the two- or five-year periods mentioned above, according to the nature of the product in question

- and also when our customer does not inform us of the alleged defect within twenty (20) clear days following its discovery. The customer is responsible for providing proof of the defect discovery date.

9.4. The warranty for hidden defects shall be granted after:

- Receipt by ACIS of a photocopy of the delivery slip and purchase invoice,
- Issue to the customer of a return slip with the ACIS acceptance number,
- Shipment of the product with postage paid, by the customer,
- Expert assessment of the equipment at ACIS facilities.

ACIS will then decide whether there is a defect in the product.

9.5. Under the warranty for hidden defects, our

company shall only be responsible for replacing or repairing defective merchandise and/or original parts, free of charge, that are confirmed as defective after our assessment, without the customer having the right to claim damages for any reason. If the customer performs maintenance, the warranties are limited to the supply of the part and/or equipment recognized as defective, excluding all transport, transfer and outside maintenance costs and other damages.

The replacement of defective products or parts will not extend the duration of the warranty.

9.6. The warranty for hidden defects is excluded when:

- our products have been used under wrong, abnormal or unintended usage or performance conditions,
- our products have been subjected to insufficient maintenance, defective installation or connections, or normal wear and tear,
- the usage instructions delivered by ACIS were not strictly followed,
- there is damage and/or wear resulting from an abnormal or normal special assembly or adaptation of our products, unless performed under our supervision,
- there is a deterioration, an accident resulting from an impact, a fall, a defect and/or lack of supervision or in the event of product transformation,
- there are instances of customer negligence,
- the equipment is modified, repaired or disassembled, even partially, outside our facilities or without the presence of one of our technicians,
- installation and/or first placement of products implying a hydraulic and/or electrical connection, are performed by a non-professional, in violation of the safety rules and recommendations defined in Article 8 of these GTCs,
- there is force majeure (as provided for in Article 12 below).

Furthermore, the warranty shall be suspended until all late payments are cleared. The customer is expressly informed that this suspension does not result in an increase of the warranty duration. Application of the warranty shall not give rise to payment of any compensation.

#### Article 10 - Intellectual and Industrial property

ACIS retains all intellectual and industrial property rights relating to the products. The customer is therefore prohibited from modifying, hiding or removing our distinctive marks placed on our products. Furthermore, customers undertake to make no use of technical documents (instructions, product sheets, photos, prices, etc.) belonging to ACIS, that is liable to infringe upon the industrial or intellectual property rights of our company and promise not to disclose them to any third parties. Non-compliance with these obligations may lead to the automatic termination, without prior notice, of orders in progress and closing out of all sums owed by the customer, without prejudice to the liability actions that we could take.

#### Article 11 - Contingency

The legal contingency regime provided for in Article 1195 of the French Civil Code will apply in the event of a change in the economic circumstances surrounding the conclusion of the sale and significantly adversely affecting the balance of the sale.

#### Article 12 - Force majeure

Events independent of the will of the parties, that they could not reasonably be responsible for foreseeing and that they could not reasonably avoid or overcome are considered cases of force majeure or fortuitous events when their occurrence makes the execution of obligations totally impossible. The following are notably considered cases of force majeure or fortuitous events, releasing our company from our obligation to deliver within the initially planned timeframe: labor strikes of all or part of our company workforce or usual transport services, fire, flood, war, production stoppages caused by unexpected breakdowns, the impossibility of procuring raw materials, epidemics, thaw barriers, road blockages, electricity or gas utilities strike or outage, or procurement disruption for a reason not attributable to our company, as well as any procurement disruptions attributable to our suppliers. Under these circumstances, our company will inform the customer of the event in writing, including by fax or email, thus automatically suspending the contract between our company and the customer, without compensation or damages, starting from the date the event occurs.

#### Article 13 - Termination

13.1. In the event of failure to comply with Articles 3 and 4 above, and in particular failure to pay by the due date for the products ordered by the customer, the contract may be terminated by ACIS by operation of law, with formal notice resulting solely from the failure to perform without notice or formalities being required.

13.2. Termination for unforeseen circumstances (as provided for in Article 11 above) may, notwithstanding the termination clause for failure by the customer to fulfill its obligations, only take place one (1) month after the sending of a formal notice notified by registered letter with acknowledgment of receipt to the other party.

13.3. Termination by operation of law for force majeure may, notwithstanding the termination clause for failure by the customer to fulfill its obligations, only take place one (1) month after the sending of a formal notice notified by registered letter with acknowledgment of receipt to the other party, this formal notice must specify the intention to apply this clause.

#### Article 14 - Privacy Policy

The collection and processing of your personal data enables us to improve and personalize the services we offer you. This information may be

stored for the purpose of complying with legal and regulatory obligations (payment, litigation, after-sales service, etc.). This information will be used to process orders, manage returns, customer relations, correspondence for delivery follow-up and marketing management.

According to the Law of Data Protection of January 6, 1978, the customer has the right to access, rectify and oppose the processing of all personal data that we hold about them. The customer can exercise their rights by mail to: ACIS, 15, rue des Marais - 44310 Saint-Philbert-de-Grand-Lieu - FRANCE. In accordance with the regulations in force, the customer's request must be signed and accompanied by a photocopy of an identity document bearing his or her signature and specifying the address to which the reply should be sent. A reply will then be sent to the customer within two (2) months following receipt of the request.

ACIS undertakes not to transfer or sell any of the customer's personal information to third parties or to use this information for unintended purposes.

#### Article 15 - Applicable law - Attribution of jurisdiction

Any questions regarding these GTCs or the sales to which they apply, and which are not covered by these contractual stipulations, shall be governed by French law, to the exclusion of any other law. Any disagreement as to the application of these GTCs, their validity, interpretation, execution and sales contracts signed by our company or as to the payment of the price shall be taken to the commercial court of our company's head office, even in the case of third-party claims or multiple defendants.

#### Article 16 - Amendments to the GTCs

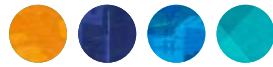
Given changing regulations, ACIS's commercial strategy and evolving products, we reserve the right to modify these GTCs at any time. The new GTCs shall only apply to sales made following the modification(s).

These terms and conditions ("GTC") apply between the company ACIS and the customer, acting exclusively in the framework of its professional activity. These GTCs express all obligations of the parties. All product orders imply the customer's unconditional acceptance of and full agreement to these GTCs, which prevail over any other contradictory document, including all customer general terms and conditions of purchase, unless our company has agreed special conditions in writing with the customer. All documents other than these GTCs, including catalogs, brochures, advertisements and manuals, are for information only and hold no contractual value.



One step ahead

# NOTES



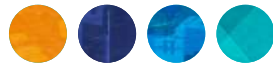
A series of horizontal dashed lines for writing notes, spanning the width of the page.





One step ahead

# NOTES



A series of horizontal dashed lines for writing notes, spanning the width of the page.







15 rue des Marais  
44310 Saint-Philbert-de-Grand-Lieu  
FRANCE

+33 (0)2 40 59 95 35  
[client.acis@acis-france.com](mailto:client.acis@acis-france.com)

[www.acis-france.com](http://www.acis-france.com)